

# Ceramic Monoblock Bandpass Filter



# Model KFF6402A Technical Data

## Features:

- Small Size
- High Performance

## Description and Applications:

This 4 pole monoblock filter is designed primarily for TCAS applications at 1090 MHz in the radionavigation band.



## Electrical Specifications

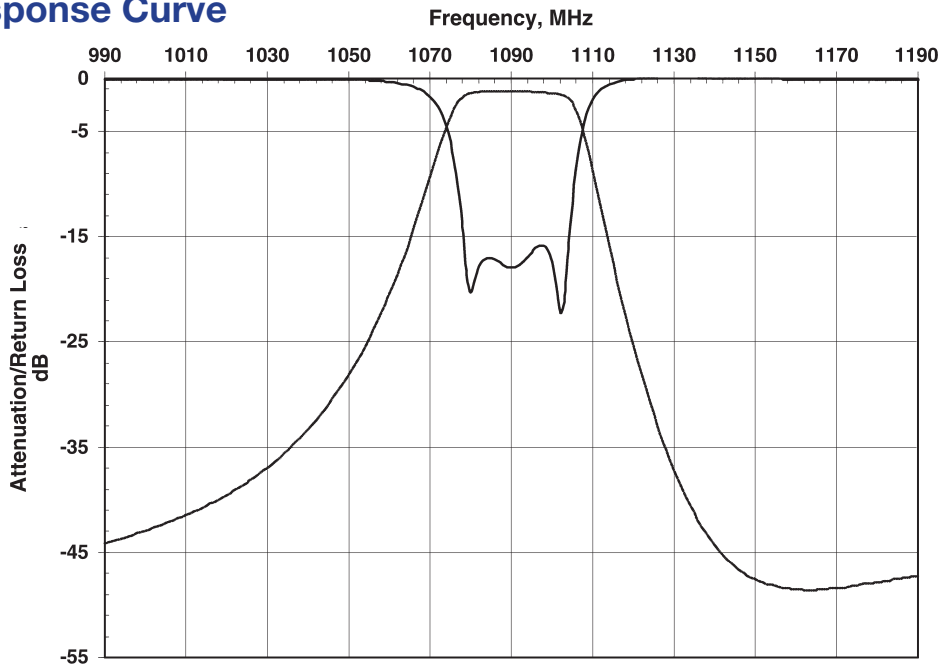
Parameters	Frequency	Specifications @ 25° C
Insertion Loss	1087 MHz to 1093 MHz	2.0 dB max.
Forward Return Loss		12.0 dB min.
Attenuation	1030 MHz	35.0 dB min.
Power Rating		1 W
Impedance		50 Ω

NOTE: Supplier shall test each filter to the critical electrical specifications listed above or better. Any subsequent audits may deviate due to measurement repeatability among different test systems. Such deviations shall not exceed the following limits:

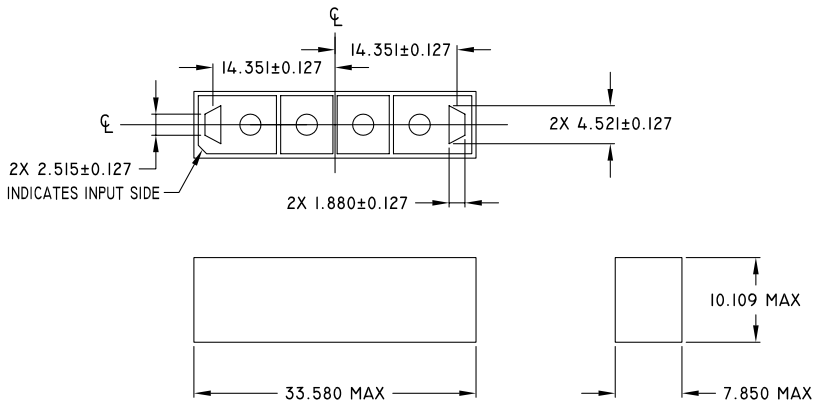
Specification	Typical Allowance
Insertion Loss	0.1 dB
Return Loss	1.0 dB
Stopbands	1.0 dB

Rev. 1

**Typical Response Curve**

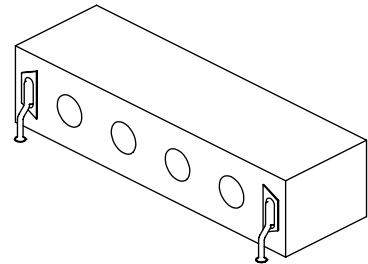


**Mechanical Dimensions**



All dimensions in mm

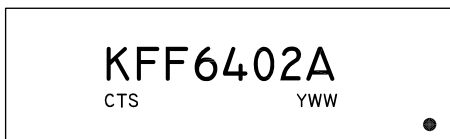
**PC Board Layout**



CONNECT TO I/O PADS USING WIRE LEADS.

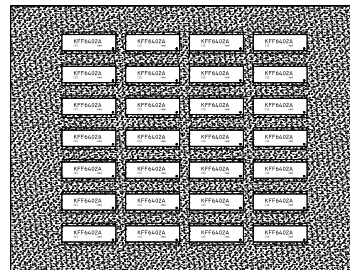
**Part Marking**

Y = LAST DIGIT OF YEAR  
 WW = SEQUENTIAL WEEK NUMBER



**Packaging**

This product is shipped in pre-formed foam trays.



**Contact Information:**

**CTS WIRELESS COMPONENTS, INC.** / 171 Covington Drive / Bloomingdale, IL 60108  
 PHONE: (800) 757-6686 / www.ctscorp.com

Document Control #6287069Y01 Rev 1

Date of Origin 05/15/01

Date of Revision 05/15/01

THIS DATA SHEET IS NOT AN OFFER FOR SALE AND SHALL NOT OBLIGATE CTS TO SELL THE PRODUCTS DESCRIBED HEREIN OR ANY OTHER PRODUCTS. CTS MAY, IN ITS SOLE DISCRETION, MODIFY OR DISCONTINUE THE SALE OF ITS PRODUCTS AT ANY TIME WITHOUT NOTICE. CTS MAKES NO WARRANTY, INCLUDING WARRANTIES OF MERCHANTABILITY OR FITNESS FOR A PARTICULAR PURPOSE, WITH RESPECT TO THE PRODUCTS REFERENCED OR INFORMATION PROVIDED HEREIN.

CTS® is a registered trademark of CTS Corporation.