

# CKCM25X8R1H472M060AK

TDK Item Description : CKCM25X8R1H472MT\*\*\*S

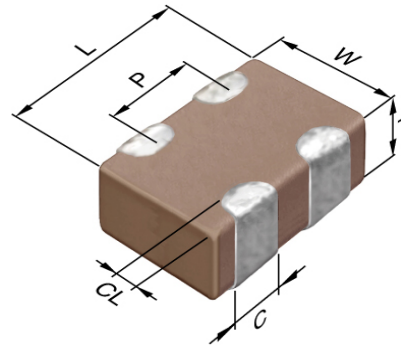


## Application & Main Feature

Commercial Grade ( 2 in 1 Array )

## Series

CKCM25



## Dimensions

L 1.37mm +/-0.15mm  
 W 1.00mm +/-0.15mm  
 T 0.60mm +/-0.1mm  
 C 0.36mm Nom.  
 P 0.64mm Nom.

## Temperature Characteristic

X8R (-55 to 150 degC +/-15%)

## Rated Voltage

1H (50Vdc)

## Capacitance

4.7nF

## Capacitance Tolerance

M (+/-20%)

## Dissipation Factor

3% Max.

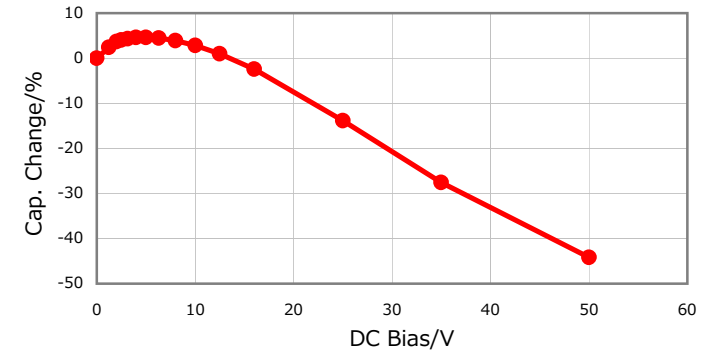
## Insulation Resistance

10Gohm Min.

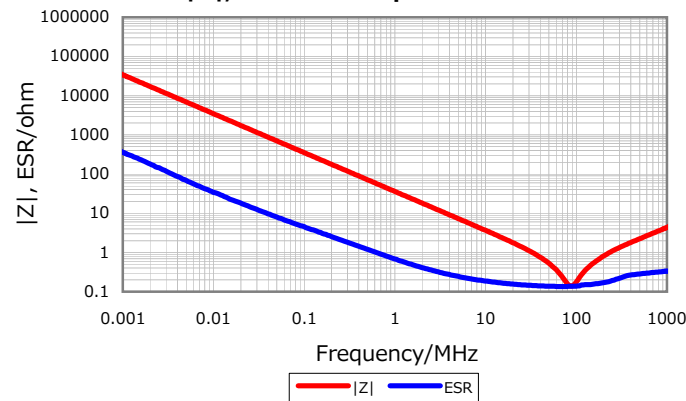
## AEC-Q200

Not Applicable

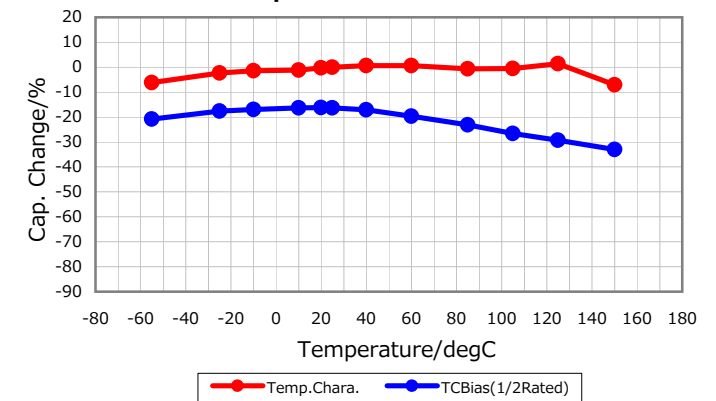
## DC Bias Characteristic



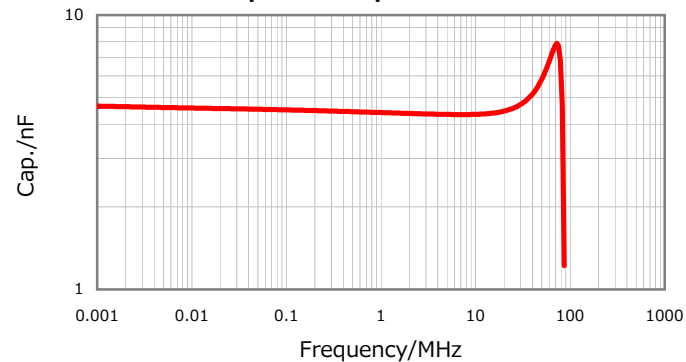
## |Z|, ESR vs. Freq. Characteristics



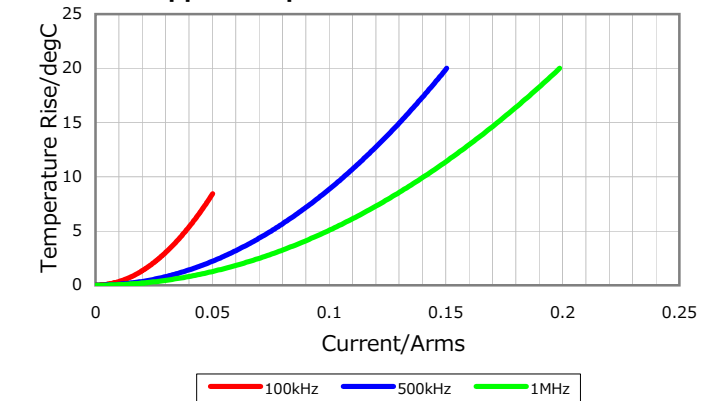
## Temperature Characteristics



## Cap. vs. Freq. Characteristic



## Ripple Temperature Rise Characteristics



Characterization Sheet ( Multilayer Ceramic Chip Capacitors )



All specifications are subject to change without notice.

January 4, 2016