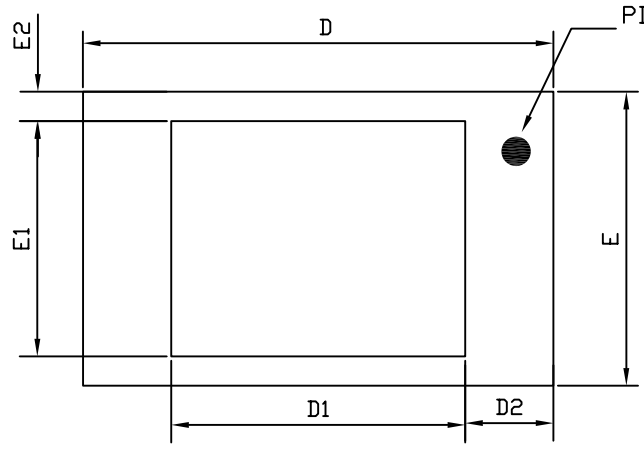
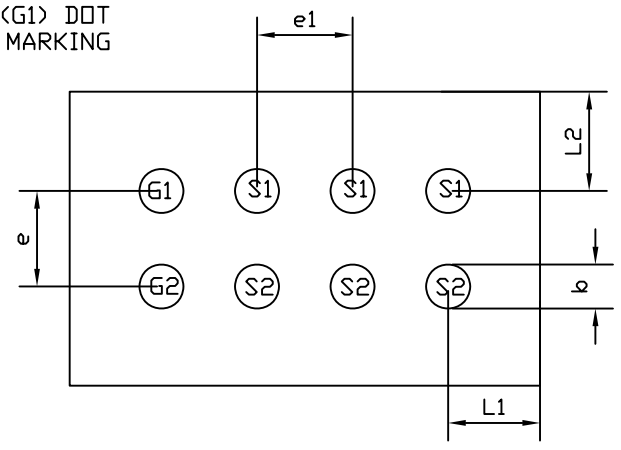




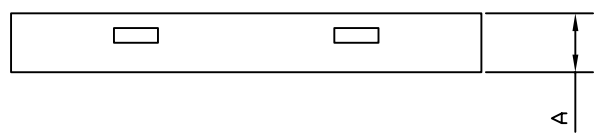
## AlphaDFN3.2x2\_8\_TEP1 PACKAGE OUTLINE



TOP VIEW

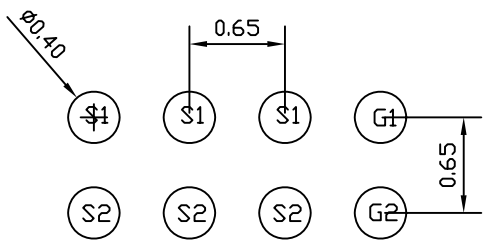


BOTTOM VIEW



SIDE VIEW

RECOMMENDED LAND PATTERN



SYMBOLS	DIMENSIONS IN MILLIMETERS			DIMENSIONS IN INCHES		
	MIN	NOM	MAX	MIN	NOM	MAX
D	3.150	3.200	3.250	0.124	0.126	0.128
D1	1.950	2.000	2.050	0.077	0.079	0.081
D2	0.550	0.600	0.650	0.022	0.024	0.026
E	1.950	2.000	2.050	0.077	0.079	0.081
E1	1.550	1.600	1.650	0.061	0.063	0.065
E2	0.150	0.200	0.250	0.006	0.008	0.010
e	0.650BSC			0.026BSC		
e1	0.650BSC			0.026BSC		
L1	0.555	0.630	0.705	0.022	0.025	0.028
L2	0.605	0.680	0.755	0.024	0.027	0.030
b	0.300	0.370	0.420	0.012	0.015	0.017
A	0.380	0.400	0.460	0.015	0.016	0.018

NOTE:  
1. CONTROLLING DIMENSION IS MILLIMETER.  
CONVERTED INCH DIMENSIONS ARE NOT NECESSARILY EXACT.