

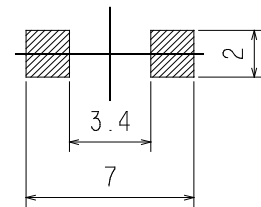
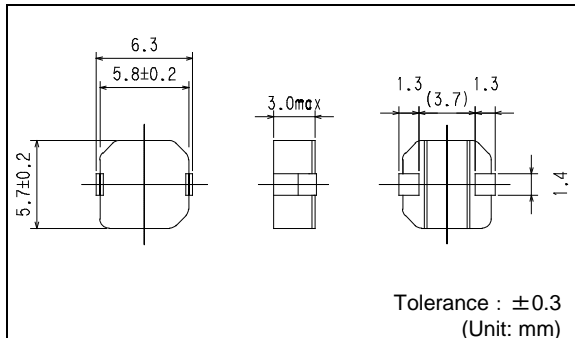
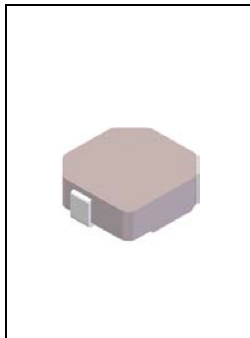
FCUL0530

Low core loss type
低直流电阻型



Inductance Range: 0.36~0.47μH

Recommended patterns
推荐焊盘尺寸推奨



(Unit: mm)

FEATURES 特点

- 6.3 × 5.7mm square and 3.0mm Max. height.
- Magnetically shielded construction, low DC resistance.
- The use of magnetic iron powder ensures capability for large current.
- Low audible core noise.
- Ideal for DC-DC converter applications.
- Operating temperature : -40~+125°C
- 最大6.3 × 5.7毫米的平面，最大高度3.0毫米
- 磁性屏蔽结构，低直流电阻
- 适合于大电流
- 使用低损失铁系磁性粉保证高效率
- 低芯片噪音
- DC-DC转换器电感器的理想选择
- 使用温度范围：-40~+125°C

STANDARD PART NUMBERS 标准零件号码

TYPE FCUL0530 (Quantity/reel; 1000 PCS)

零件号码	电感值 ⁽¹⁾	公差	最大直流电阻 ⁽²⁾	最大电感值减小电流 ⁽³⁾	最大温度上升电流 ⁽⁴⁾
Part Number	Inductance ⁽¹⁾ (μH)	Tolerance (%)	DC Resistance ⁽²⁾ (mΩ) ±7%	Inductance Decrease Current ⁽³⁾ (A) Max. (Typ.) $\frac{\Delta L}{L} = 30\%$	Temperature Rise Current ⁽⁴⁾ ΔT=40°C (A) Max. (Typ.)
FCUL0530-R36M=P3	0.36	±20	2.40	17 (22)	18 (21)
FCUL0530-R47M=P3	0.47	±20	2.85	14 (18)	16 (19)

- (1) Inductance is measured with a LCR meter 4284A (Agilent Technologies) or equivalent. Test frequency at 100kHz
- (2) DC resistance is measured with 34420A (Agilent Technologies) or 3541(HIOKI). (Reference ambient temperature 25°C)
- (3) Inductance Decrease Current based upon 30% inductance reduction from the initial value
- (4) Temperature Rise Current based upon 40°C temperature rise. (Reference ambient temperature 20°C)
- (5) Absolute maximum voltage 30VDC.

- (1) LCR仪表4284A (Agilent技术) 或者功能相同的仪器在100kHz下测试电感值。
- (2) 通过数码万用表34420A (Agilent技术) 或者3541(HIOKI)测试直流电阻。(环境温度为25°C)
- (3) 电感值降低电流是基于电感值从最初的值降低30%计算的。
- (4) 温度升高电流是在温度上升40°C的基础上衡量的。(参考周围环境温度20°C)
- (5) 绝对最高电压30伏特。

注意：如果你准备使用该产品作为商业用途等，请确认你与我们的销售部仔细讨论了你的购买计划。

NOTICE: Please be sure that you carefully discuss your planned purchase with our sales division if you intend to use the product for business use etc. is severe.