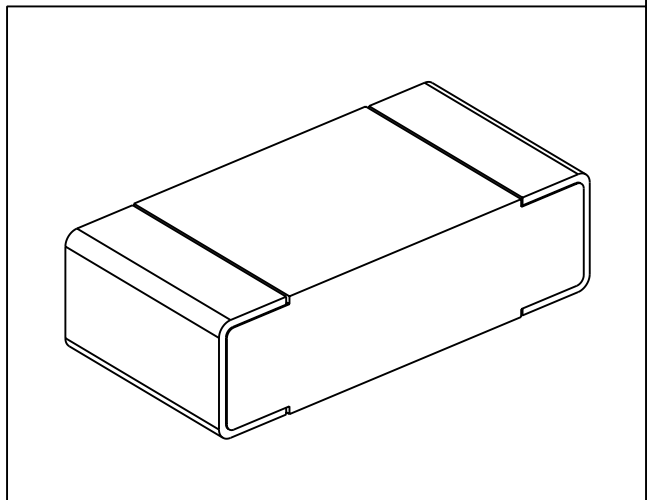
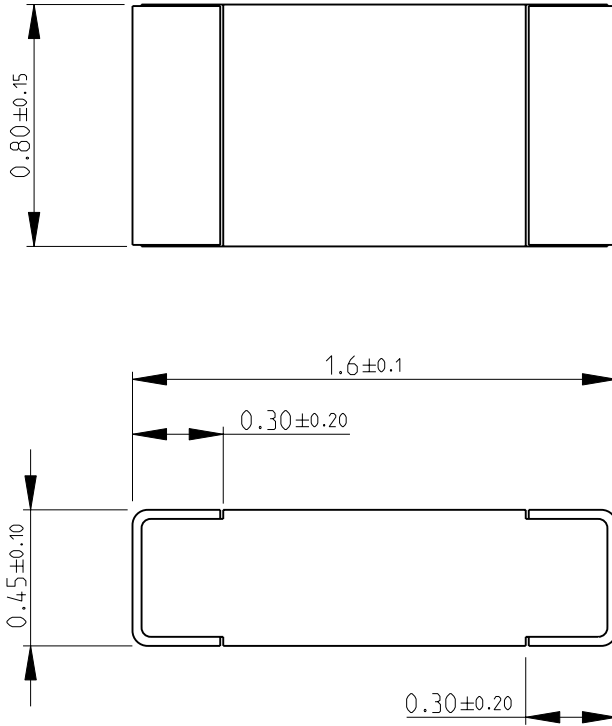


LOC	DIST	REVISIONS					
E	B	P	LTR	DESCRIPTION	DATE	DWN	APVD
			BA	NEW RELEASE	07-NOV-08	SM	St.P

FOR FURTHER INFORMATION SEE DATA SHEET FOR
CRG SERIES-THICK FILM CHIP RESISTORS



RoHS Compliant

2008

RELEASED FOR PUBLICATION

THIS DRAWING IS UNPUBLISHED.

BY TYCO ELECTRONICS CORPORATION. ALL RIGHTS RESERVED.



DIMENSIONS: mm	DWN	07-NOV-08	MATERIAL	-	FINISH	-	
	SUBHASH.M						
TOLERANCES UNLESS OTHERWISE SPECIFIED:	CHK	07-NOV-08	Tyco Electronics Corporation Dorcan, Swindon, SN3 5HH				
	PRAKASH.S						
0 PLC ± 0.5 1 PLC ± 0.2 2 PLC ± 0.1 3 PLC $\pm -$ 4 PLC $\pm -$ ANGLES $\pm 5^\circ$	APVD	07-NOV-08	NAME THICK FILM CHIP RESISTORS SERIES CRG 0603				
	STEPHEN.P						
	PRODUCT SPEC	-	SIZE	CAGE CODE	DRAWING NO	RESTRICTED TO	
	APPLICATION SPEC	-	A 4	00779	© = 1623046	-	
WEIGHT	-	CUSTOMER DRAWING		SCALE	40:1	SHEET 1 OF 1	REV BA