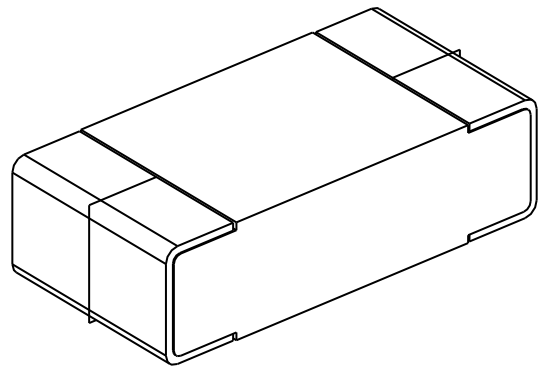
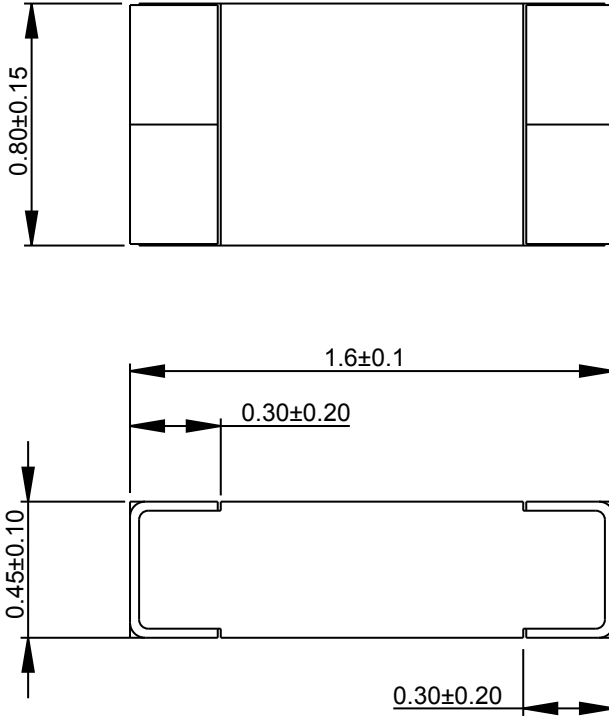


| | | | | | | | |
|-----|------|-----------|-----|-------------|-----------|-----|------|
| LOC | DIST | REVISIONS | | | | | |
| E | B | P | LTR | DESCRIPTION | DATE | DWN | APVD |
| | | | BA | NEW RELEASE | 03-NOV-08 | SM | St.P |

FOR FURTHER INFORMATION SEE DATA SHEET FOR
CRG SERIES-THICK FILM CHIP RESISTORS



RoHS Compliant

2008

RELEASED FOR PUBLICATION

THIS DRAWING IS UNPUBLISHED.

BY TYCO ELECTRONICS CORPORATION. ALL RIGHTS RESERVED.

© COPYRIGHT 2008

| | | | | | | |
|--|------------------|-----------|--|-----------|------------|---------------|
| DIMENSIONS: mm | DWN | 03-NOV-08 | MATERIAL | - | FINISH | - |
| | CHK | 03-NOV-08 | Tyco Electronics Corporation Dorcan, Swindon, SN3 5HH | | | |
| TOLERANCES UNLESS OTHERWISE SPECIFIED: | APVD | 03-NOV-08 | | | | |
| 0 PLC ± 0.5 | PRODUCT SPEC | - | NAME | | | |
| 1 PLC ± 0.2 | APPLICATION SPEC | - | THICK FILM CHIP RESISTORS | | | |
| 2 PLC ± 0.1 | WEIGHT | - | SIZE | CAGE CODE | DRAWING NO | RESTRICTED TO |
| 3 PLC ± - | | | A4 | 00779 | C- 1622837 | - |
| 4 PLC ± - | | | CUSTOMER DRAWING | | | |
| ANGLES ± 5° | | | SCALE | SHEET | OF | REV |
| | | | 40:1 | 1 | 1 | BA |