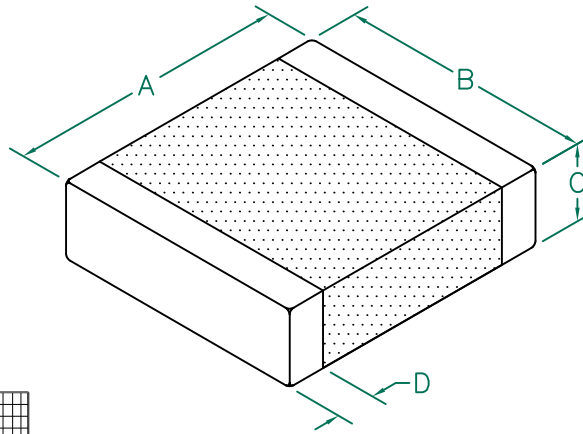


HI2220P171R-10

UNCONTROLLED DOCUMENT

PHYSICAL DIMENSIONS:

A	5.59 [.220]	± 0.51 [.020]
B	5.08 [.200]	± 0.25 [.010]
C	1.52 [.060]	± 0.25 [.010]
D	0.76 [.030]	± 0.25 [.010]



ELECTRICAL CHARACTERISTICS:

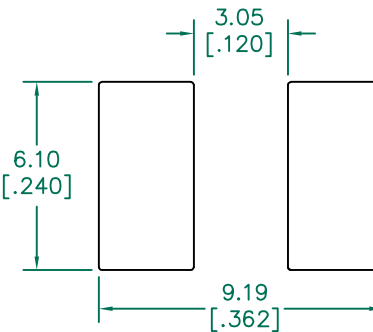
	Z @ 100MHz (Ω)	DCR (Ω)	Rated Current
Nominal	170		
Minimum	128		
Maximum	213	0.030	4000 mA

NOTES: UNLESS OTHERWISE SPECIFIED

1. TAPED AND REELED per CURRENT EIA SPECIFICATIONS 13" REELS, 2,000 PCS/REEL.
2. TERMINATION FINISH IS 100% TIN.
3. COMPONENTS SHOULD BE ADEQUATELY PREHEATED BEFORE SOLDERING.
4. OPERATING TEMPERATURE TEMP: -40°C~+125°C (INCLUDING SELF-HEATING)

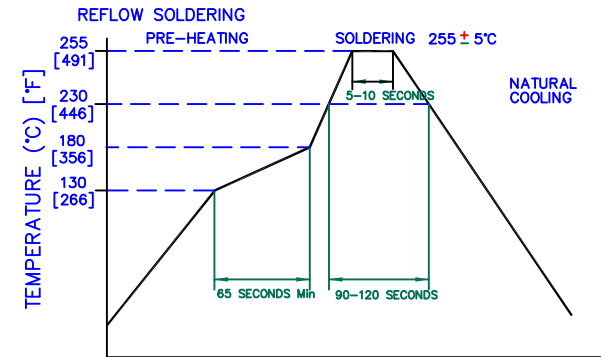


LAND PATTERNS FOR REFLOW SOLDERING

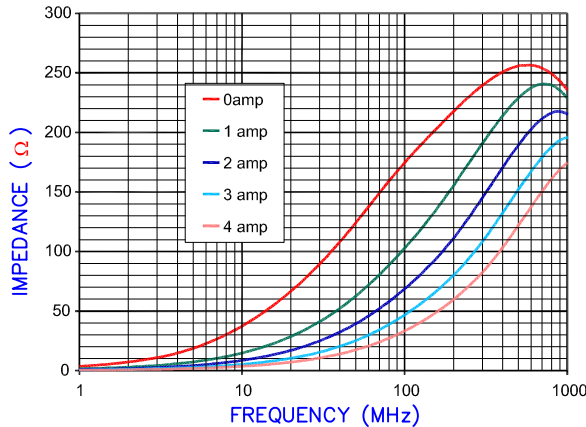


(For wave soldering, add 0.762 [.030] to this dimension.)

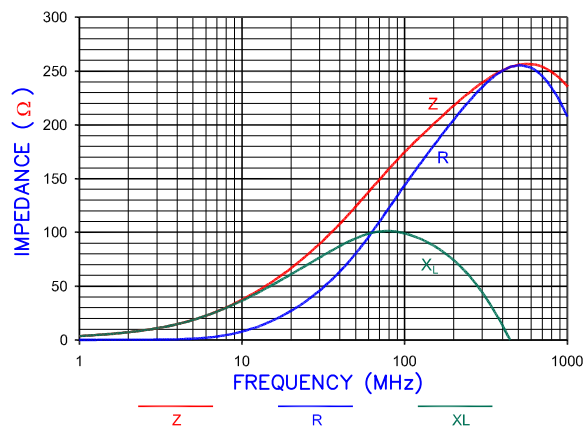
RECOMMENDED SOLDERING CONDITIONS



Z vs. FREQUENCY
IMPEDANCE UNDER DC BIAS



|Z|, R, AND XL vs. FREQUENCY



DIMENSIONS ARE IN mm [INCHES].		This print is the property of Laird Tech. and is loaned in confidence subject to return upon request and with the understanding that no copies shall be made without the written consent of Laird Tech. All rights to design or invention are reserved.		Laird	
PROJECT/PART NUMBER:		HI2220P171R-10		REV	C
PART TYPE:		CO-FIRE		DRAWN BY:	
TMB		TMB		TMB	
DATE:		04/02/04		SCALE: NTS	
SHEET:		2 of 2		SHEET:	
DESCRIPTION:		HI2220P171R-10-C		TOOL #	