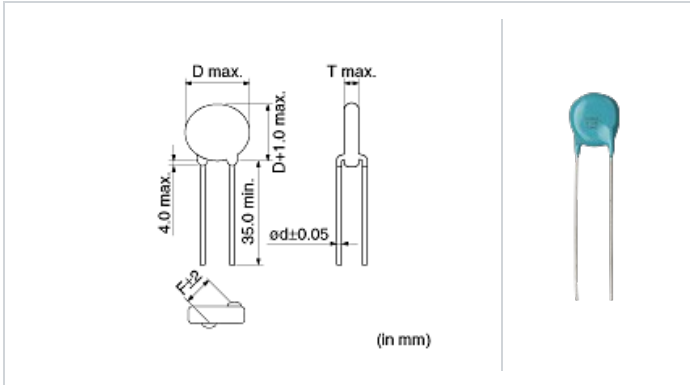




< List of part numbers with package codes >  
DHR4E4A101K2BB

**Shape**



L size or outer diameter D (mm)	8.0 mm max.
T size	7.3 mm max.
Lead spacing F	9.5 ±2.0mm
Lead diameter d	0.65 ±0.05mm
Paint dripping e	4.0mm max.

**References**

Packaging	Specifications	Minimum quantity
B	Packing in bulk	200

**Specifications**

Capacitance	100pF ±10%
Rated voltage	10kVdc
Temperature characteristics (complied standard)	ZM(JIS)
Temperature coefficient	-4700±1000ppm/°C
Temperature range of temperature characteristics	25 to 85°C
Operating temperature range	-25 to 100°C

**Attention**

- 1.This datasheet is downloaded from the website of Murata Manufacturing Co., Ltd. Therefore, it's specifications are subject to change or our products in it may be discontinued without advance notice. Please check with our sales representatives or product engineers before ordering.
- 2.This datasheet has only typical specifications because there is no space for detailed specifications. Therefore, please review our product specifications or consult the approval sheet for product specifications before ordering.