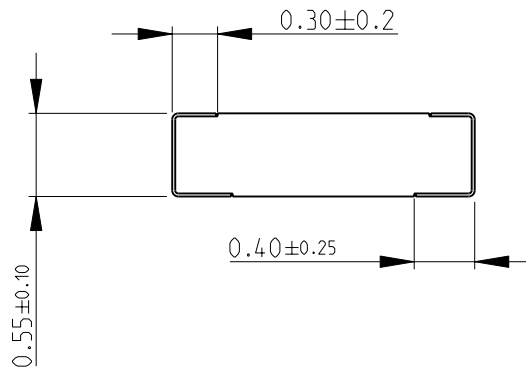
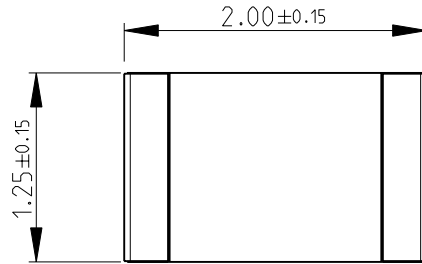
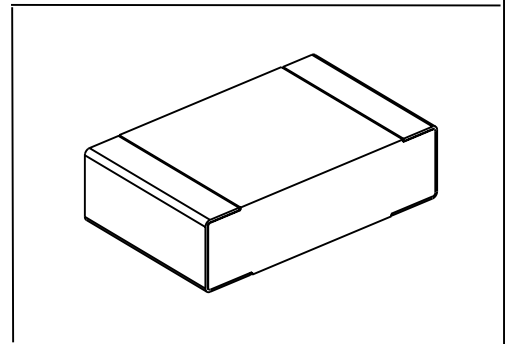
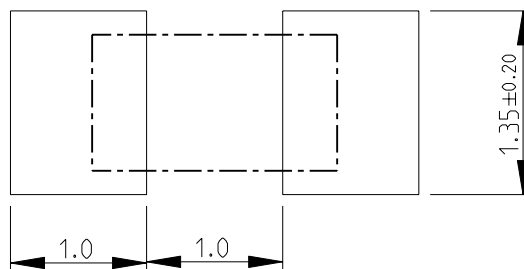


LOC	DIST	REVISIONS				
P	LTR	DESCRIPTION	DATE	DWN	APVD	
E	B	BB	NEW RELEASE	13JULY2010	PT	St.P

FOR FURTHER INFORMATION SEE DATA SHEET FOR  
RN73 SERIES-HIGH PRECISION RESISTORS (SMD)



RECOMMENDED LAND PATTERN



2010

RELEASED FOR PUBLICATION

THIS DRAWING IS UNPUBLISHED.

BY TYCO ELECTRONICS CORPORATION. ALL RIGHTS RESERVED.

© COPYRIGHT 2010

DIMENSIONS: mm	DWN PARUSURAM.T	13JULY2010	MATERIAL	-	FINISH	-				
	CHK ALLAN.P	13JULY2010	Tyco Electronics Corporation Dorcan, Swindon, SN3 5HH							
TOLERANCES UNLESS OTHERWISE SPECIFIED:	APVD STEPHEN.P	13JULY2010								
	0 PLC ±0.2	PRODUCT SPEC	NAME HIGH PRECISION RESISTORS (SMD) SERIES RN73 2A							
1 PLC ±0.1	APPLICATION SPEC									
2 PLC ±-	WEIGHT	-	SIZE	A 4	CAGE CODE	00779	DRAWING NO	©= 1614729	RESTRICTED TO	-
3 PLC ±-	CUSTOMER DRAWING		SCALE	20:1	SHEET	1	OF	1	REV	BB
4 PLC ±-										
ANGLES ±5°										