

C4532C0G2W683K320KA

TDK Item Description : C4532C0G2W683KT***

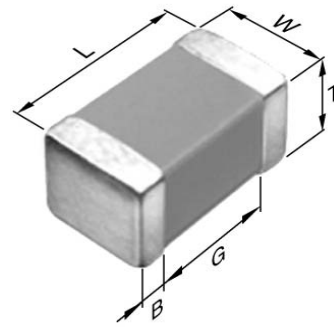


Application & Main Feature

Commercial Grade (Mid Voltage (100 to 630V))

Series

C4532 [EIA CC1812]



Dimensions

L 4.50mm +/-0.4mm
 W 3.20mm +/-0.4mm
 T 3.20mm +/-0.3mm
 B 0.20mm Min.
 G

Temperature Characteristic

C0G (-55 to 125 degC 0+/-30ppm/degC)

Rated Voltage

2W (450Vdc)

Capacitance

68nF

Capacitance Tolerance

K (+/-10%)

Q Factor

1000 Min.

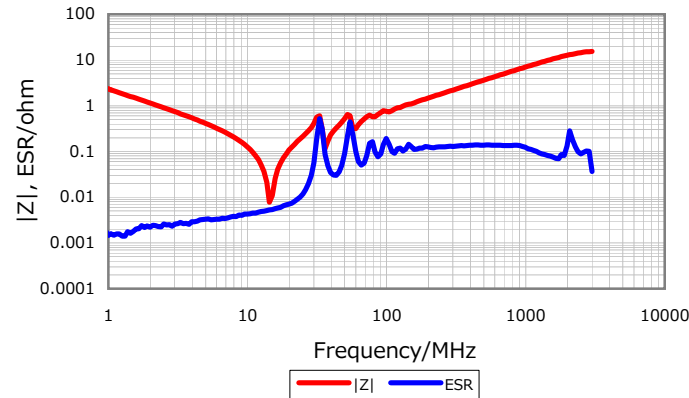
Insulation Resistance

7.35Gohm Min.

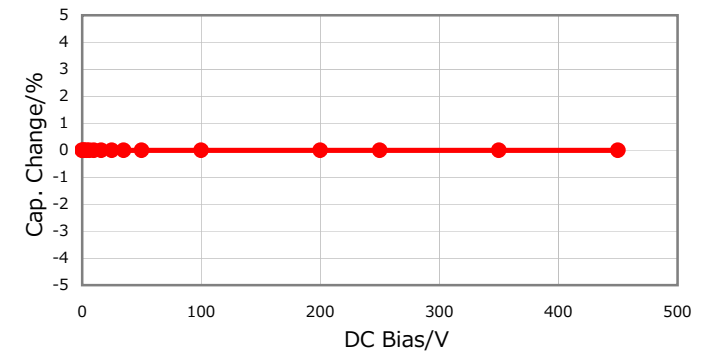
AEC-Q200

Not Applicable

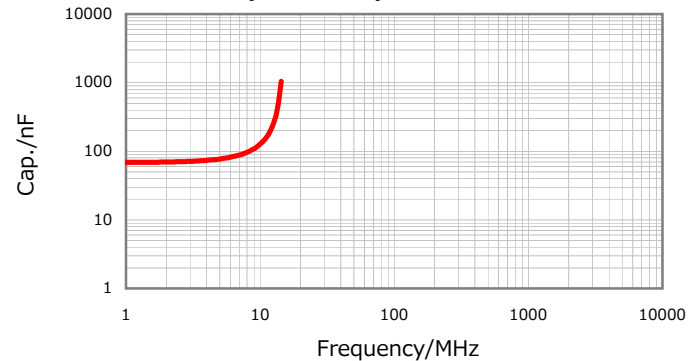
|Z|, ESR vs. Freq. Characteristics



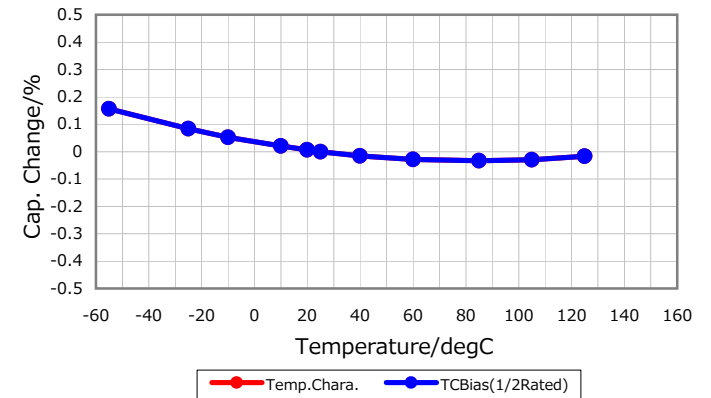
DC Bias Characteristic



Cap. vs. Freq. Characteristic



Temperature Characteristics



Characterization Sheet (Multilayer Ceramic Chip Capacitors)



All specifications are subject to change without notice.

January 4, 2016