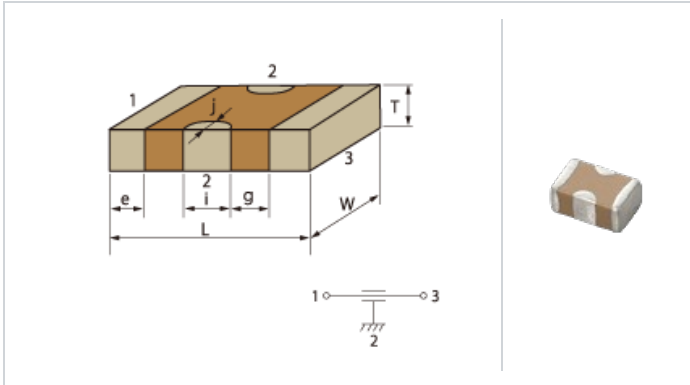




< List of part numbers with package codes >
NFM15CC222D1A3D

Shape



L size	1.0 ±0.1mm
W size	0.5 ±0.2mm
T size	0.4 ±0.1mm
External terminal width e	0.17±0.1mm
External terminal size i	0.35±0.1mm
External terminal size j	0.15±0.1mm
Distance between external terminals g	0.1mm min.
Size code in inch(mm)	0402 (1005M)

References

Packaging	Specifications	Minimum quantity
D	φ180mm Paper taping	10000

Mass (typ.)	
1 piece	0.3mg
φ180mm Reel	117g

Specifications

Capacitance	2200pF ±20%
Rated voltage	10Vdc
Operating temperature range	-55 to 105°C
Rated Current	1A
DC Resistance(max.)	40mΩ

Attention

- 1.This datasheet is downloaded from the website of Murata Manufacturing Co., Ltd. Therefore, it's specifications are subject to change or our products in it may be discontinued without advance notice. Please check with our sales representatives or product engineers before ordering.
- 2.This datasheet has only typical specifications because there is no space for detailed specifications. Therefore, please review our product specifications or consult the approval sheet for product specifications before ordering.