

LOC	DIST	REVISIONS					
		P	LTR	DESCRIPTION	DATE	DWN	APVD
HJ	-		C1	ECR-14-007162 (Packaging information)	13OCT2015	AP	AK
			C	REVISED PER ECO-13-009645	18JUN2013	UKo	AK
			B5	ECR-12-003906, New HF3 43i(S)	29FEB2012	UKo	AK
			B4	New HF3 46E	12JAN2012	UKo	BK

Relay-Typ	Mark 1)	Mark 2)	PN
HF3 01	01	3	1462050-1
HF3 01S	01S	3	3-1462050-0
HF3 02	02	4.5	1-1462050-6
HF3 02S	02S	4.5	3-1462050-1
HF3 03	03	5	1462050-2
HF3 03L	03L	5	2-1462050-6
HF3 03S	03S	5	2-1462050-2
HF3 03SR	03SR	5	2-1462050-5
HF3 04	04	6	1-1462050-7
HF3 05	05	9	1462050-3
HF3 05S	05S	9	2-1462050-3
HF3 06	06	12	1462050-4
HF3 06L	06L	12	2-1462050-8
HF3 06S	06S	12	2-1462050-7
HF3 07	07	24	1462050-5

2007

RELEASED FOR PUBLICATION

ALL RIGHTS RESERVED.

© COPYRIGHT 2007

THIS DRAWING IS UNPUBLISHED.

DIMENSIONS: mm	DWN UKo 9193	04APR2007	MATERIAL	-	FINISH	-
	CHK HD 9121	04APR2007	TE Connectivity			
TOLERANCES UNLESS OTHERWISE SPECIFIED: DIN 7168-m	APVD HD 9121	04APR2007				
0 PLC ±-	PRODUCT SPEC	-	NAME			HF3-Relay 75Ω
1 PLC ±-	APPLICATION SPEC	-	Marking			
2 PLC ±-	WEIGHT	-	SIZE	CAGE CODE	DRAWING NO	RESTRICTED TO
3 PLC ±-			A4	00779	C - 1462050-1	-
4 PLC ±-			CUSTOMER DRAWING			SCALE
ANGLES ±-						5:1
			SHEET			1 OF 2
			REV			C1

LOC HJ	DIST -	REVISIONS					
		P	LTR	DESCRIPTION	DATE	DWN	APVD
		-		SEE SHEET 1	-	-	-

Relay-Typ	Mark 1)	Mark 2)	PN
HF3 21	21	3	1462050-6
HF3 22	22	4.5	1-1462050-8
HF3 23	23	5	1462050-7
HF3 24	24	6	1-1462050-9
HF3 25	25	9	1462050-8
HF3 26	26	12	1462050-9
HF3 27	27	24	1-1462050-0
HF3 41	41	3	1-1462050-1
HF3 42	42	4.5	2-1462050-0
HF3 43	43	5	1-1462050-2
HF3 43S	43S	5	2-1462050-4
HF3 43I	43I	5	3-1462050-7
HF3 43IS	43IS	5	3-1462050-9
HF3 44	44	6	2-1462050-1
HF3 45	45	9	1-1462050-3
HF3 46	46	12	1-1462050-4
HF3 46E	46E	12	3-1462050-6
HF3 46L	46L	12	2-1462050-9
HF3 47	47	24	1-1462050-5


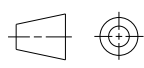
2007

RELEASED FOR PUBLICATION

ALL RIGHTS RESERVED.

© COPYRIGHT 2007

THIS DRAWING IS UNPUBLISHED.

DIMENSIONS: mm	DWN UKo 9193	04APR2007	MATERIAL	-	FINISH	-
	CHK HD 9121	04APR2007	 TE Connectivity			
TOLERANCES UNLESS OTHERWISE SPECIFIED: DIN 7168-m	APVD HD 9121	04APR2007				
0 PLC ±-	PRODUCT SPEC		NAME			
1 PLC ±-	-		HF3-Relay 75Ω			
2 PLC ±-	APPLICATION SPEC		Marking			
3 PLC ±-	-		SIZE	CAGE CODE	DRAWING NO	RESTRICTED TO
4 PLC ±-	-		A4	00779	C - 1462050-1	-
ANGLES ±-	WEIGHT		CUSTOMER DRAWING			
	-		SCALE	SHEET	OF	REV
			5:1	2	2	C1