

4

3

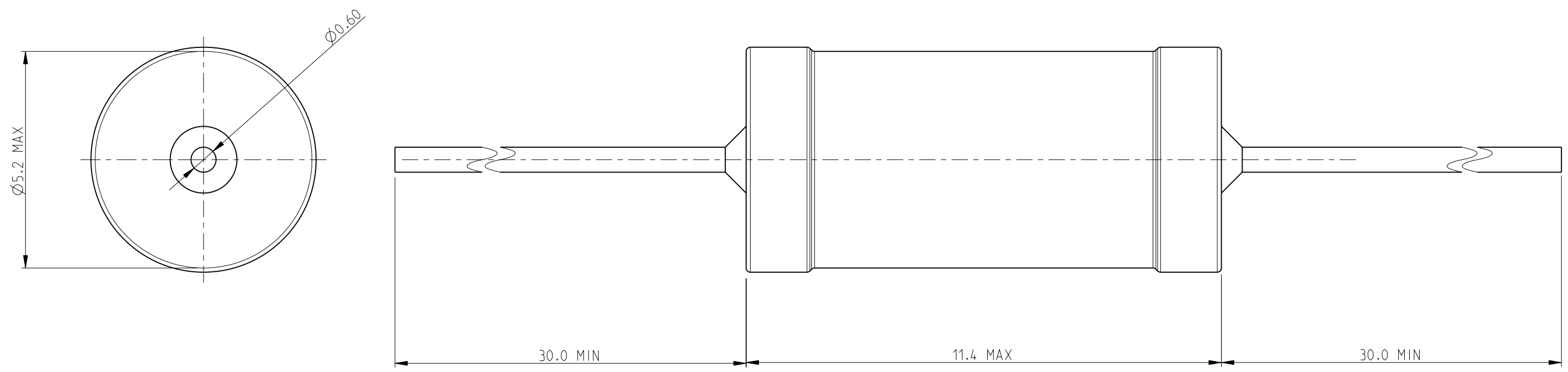
2

1

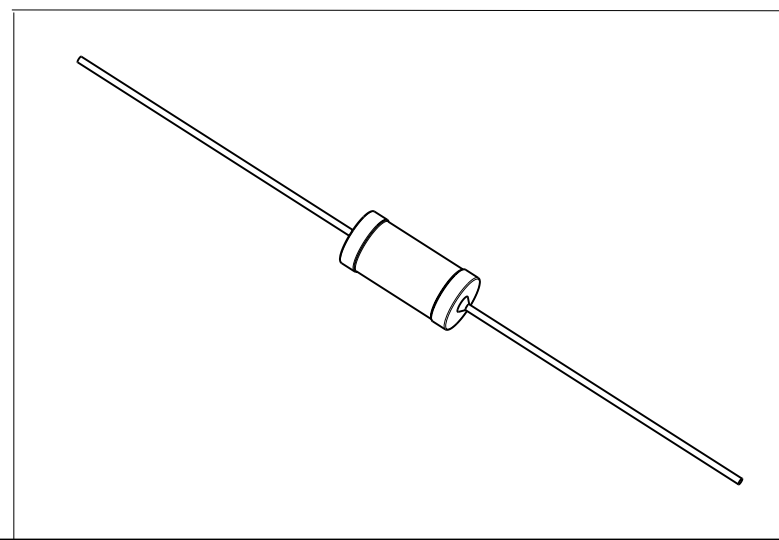
THIS DRAWING IS UNPUBLISHED. RELEASED FOR PUBLICATION 2010  
 © COPYRIGHT 2010 BY TYCO ELECTRONICS CORPORATION. ALL RIGHTS RESERVED.

| LOC | DIST | REVISIONS   |             |           |         |
|-----|------|-------------|-------------|-----------|---------|
| P   | LTR  | DESCRIPTION | DATE        | DWN       | APVD    |
| E   | B    | BA          | NEW RELEASE | 16AUG2010 | PT St.P |

FOR FURTHER INFORMATION SEE DATA SHEET FOR  
 SERIES SC - AXIAL LEADED POWER INDUCTORS



RoHS Compliant



|   |  |  |  |  |  |
|---|--|--|--|--|--|
| <small>THIS DRAWING IS A CONTROLLED DOCUMENT FOR TYCO ELECTRONICS CORPORATION<br/>         IT IS SUBJECT TO CHANGE AND THE CONTROLLING ENGINEERING ORGANIZATION<br/>         SHOULD BE CONTACTED FOR THE LATEST REVISION.</small> |  | DWN 16AUG2010<br>PARUSURAM, I  |  | Tyco Electronics Corporation<br>Dorcan, Swindon, SN3 5HH     |  |
| DIMENSIONS:<br>mm   |  | TOLERANCES UNLESS OTHERWISE SPECIFIED:<br>0 PLC ±0.2<br>1 PLC ±0.1<br>2 PLC ±-<br>3 PLC ±-<br>4 PLC ±-<br>ANGLES ±5° |  | NAME<br>AXIAL LEADED POWER INDUCTORS<br>SERIES SC55          |  |
| MATERIAL -  |  | FINISH -   |  | SIZE A3 CAGE CODE 00779 DRAWING NO C-1624056 RESTRICTED TO - |  |
| CUSTOMER DRAWING  |  |  |  | SCALE 10:1 SHEET 1 OF 1 REV BA                               |  |