

# NB7V52M

## 1.8V / 2.5V Differential D Flip-Flop w/ Reset and CML Outputs

### Multi-Level Inputs w/ Internal Termination

#### Description

The NB7V52M is a 10 GHz differential D flip-flop with a differential asynchronous Reset. The differential D/ $\bar{D}$ , CLK/ $\bar{CLK}$  and R/ $\bar{R}$  inputs incorporate dual internal 50  $\Omega$  termination resistors and will accept LVPECL, CML, LVDS logic levels.

When Clock transitions from logic Low to High, Data will be transferred to the differential CML outputs. The differential Clock inputs allow the NB7V52M to also be used as a negative edge triggered device.

The 16 mA differential CML outputs provide matching internal 50  $\Omega$  termination and produce 400 mV output swings when externally receiver terminated with a 50  $\Omega$  resistor to  $V_{CC}$ .

The NB7V52M is offered in a low profile 3 mm x 3 mm 16-pin QFN package. The NB7V52M is a member of the GigaComm™ family of high performance clock products. Application notes, models, and support documentation are available at [www.onsemi.com](http://www.onsemi.com).

#### Features

- Maximum Input Clock Frequency > 10 GHz
- Maximum Input Data Rate > 10 Gb/s
- Random Clock Jitter < 0.8 ps RMS, Max
- 200 ps Typical Propagation Delay
- 35 ps Typical Rise and Fall Times
- Differential CML Outputs, 400 mV Peak-to-Peak, Typical
- Operating Range:  $V_{CC} = 1.71$  V to 2.625 V with  $V_{EE} = 0$  V
- Internal 50  $\Omega$  Input Termination Resistors
- QFN-16 Package, 3mm x 3mm
- -40°C to +85°C Ambient Operating Temperature
- These are Pb-Free Devices



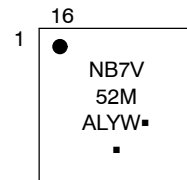
ON Semiconductor®

<http://onsemi.com>

#### MARKING DIAGRAM\*



QFN-16  
MN SUFFIX  
CASE 485G



A = Assembly Location  
L = Wafer Lot  
Y = Year  
W = Work Week  
▪ = Pb-Free Package  
(Note: Microdot may be in either location)

\*For additional marking information, refer to Application Note AND8002/D.

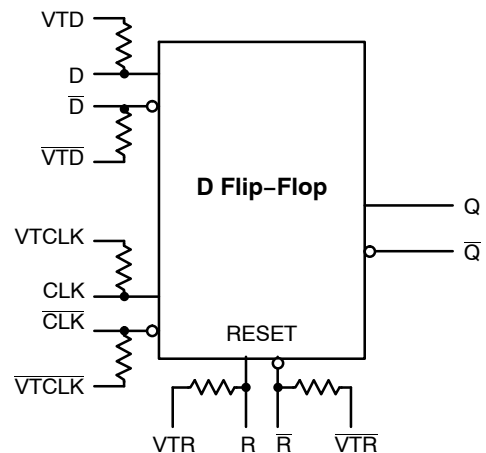


Figure 1. Logic Diagram

#### ORDERING INFORMATION

See detailed ordering and shipping information in the package dimensions section on page 9 of this data sheet.

# NB7V52M

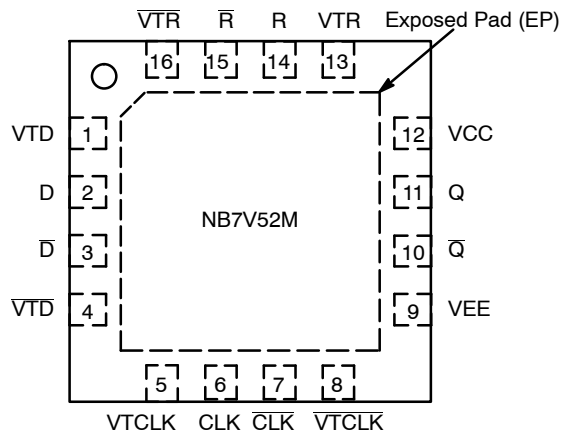


Figure 2. Pin Configuration (Top View)

Table 1. INPUT/OUTPUT SELECT TRUTH TABLE

R	D	CLK	Q
H	x	x	L
L	L	Z	L
L	H	Z	H

Z = LOW to HIGH Transition  
x = Don't care

Table 1. Pin Description

Pin	Name	I/O	Description
1	VTD	-	Internal 50 $\Omega$ Termination Pin for D
2	D	LVPECL, CML, LVDS Input	Noninverted Differential Data Input. (Note 1)
3	$\bar{D}$	LVPECL, CML, LVDS Input	Inverted Differential Data Input. (Note 1)
4	$\overline{VTD}$	-	Internal 50 $\Omega$ Termination Pin for $\bar{D}$
5	VTCLK	-	Internal 50 $\Omega$ Termination Pin for CLK
6	CLK	LVPECL, CML, LVDS Input	Noninverted Differential Clock Input. (Note 1)
7	$\overline{CLK}$	LVPECL, CML, LVDS Input	Inverted Differential Clock Input. (Note 1)
8	$\overline{VTCLK}$	-	Internal 50 $\Omega$ Termination Pin for $\overline{CLK}$
9	VEE	-	Negative Supply Voltage. (Note 2)
10	$\bar{Q}$	CML Output	Inverted Differential Output
11	Q	CML Output	Noninverted Differential Output
12	VCC	-	Positive Supply Voltage. (Note 2)
13	VTR	-	Internal 50 $\Omega$ Termination Pin for R
14	R	LVPECL, CML, LVDS Input	Noninverted Asynchronous Differential Reset Input. (Note 1)
15	$\bar{R}$	LVPECL, CML, LVDS Input	Inverted Asynchronous Differential Reset Input. (Note 1)
16	$\overline{VTR}$	-	Internal 50 $\Omega$ Termination Pin for $\bar{R}$
-	EP	-	The Exposed Pad (EP) on the QFN-16 package bottom is thermally connected to the die for improved heat transfer out of package. The exposed pad must be attached to a heat-sinking conduit. The pad is not electrically connected to the die, but is recommended to be electrically and thermally connected to VEE on the PC board.

1. In the differential configuration when the input termination pins ( $\overline{VTx}$ ,  $\overline{VTR}$ ) are connected to a common termination voltage or left open, and if no signal is applied on CLK/ $\overline{CLK}$  input, then the device will be susceptible to self-oscillation.
2. All VCC and GND pins must be externally connected to a power supply for proper operation.

# NB7V52M

**Table 2. ATTRIBUTES**

Characteristics		Value
ESD Protection	Human Body Model Machine Model	> 2 kV > 200 V
Moisture Sensitivity	16-QFN	Level 1
Flammability Rating	Oxygen Index: 28 to 34	UL 94 V-0 @ 0.125 in
Transistor Count		173
Meets or exceeds JEDEC Spec EIA/JESD78 IC Latchup Test		

For additional information, see Application Note AND8003/D.

**Table 3. MAXIMUM RATINGS**

Symbol	Parameter	Condition 1	Condition 2	Rating	Unit
V <sub>CC</sub>	Positive Power Supply	V <sub>EE</sub> = 0 V		3.0	V
V <sub>IO</sub>	Positive Input/Output Voltage	V <sub>EE</sub> = 0 V	-0.5 ≤ V <sub>IO</sub> ≤ V <sub>CC</sub> + 0.5	-0.5 to V <sub>CC</sub> + 0.5	V
V <sub>INPP</sub>	Differential Input Voltage  CLK - $\overline{\text{CLK}}$  ,  D - $\overline{\text{D}}$  ,  R - $\overline{\text{R}}$			1.89	V
I <sub>OUT</sub>	Output Current Through R <sub>TOUT</sub> (50 Ω Resistor)	Continuous Surge		34 40	mA
I <sub>IN</sub>	Input Current Through R <sub>TIN</sub> (50 Ω Resistor)			± 40	mA
T <sub>A</sub>	Operating Temperature Range			-40 to +85	°C
T <sub>stg</sub>	Storage Temperature Range			-65 to +150	°C
θ <sub>JA</sub>	Thermal Resistance (Junction-to-Ambient) (Note 3)	0 lfpm 500 lfpm	QFN-16 QFN-16	42 35	°C/W °C/W
θ <sub>JC</sub>	Thermal Resistance (Junction-to-Case) (Note 3)		QFN-16	4	°C/W
T <sub>sol</sub>	Wave Solder Pb-Free			265	°C

Stresses exceeding Maximum Ratings may damage the device. Maximum Ratings are stress ratings only. Functional operation above the Recommended Operating Conditions is not implied. Extended exposure to stresses above the Recommended Operating Conditions may affect device reliability.

3. JEDEC standard multilayer board – 2S2P (2 signal, 2 power) with 8 filled thermal vias under exposed pad.

# NB7V52M

**Table 4. DC CHARACTERISTICS, Multi-Level Inputs**  $V_{CC} = 1.71\text{ V to }2.625\text{ V}$ ,  $V_{EE} = 0\text{ V}$ ,  $T_A = -40^\circ\text{C to }+85^\circ\text{C}$  (Note 4)

Symbol	Characteristic	Min	Typ	Max	Unit
<b>POWER SUPPLY CURRENT</b>					
$I_{CC}$	Power Supply Current (Inputs and Outputs Open) $V_{CC} = 2.5\text{ V}$ $V_{CC} = 1.8\text{ V}$		90 70	110 90	mA
<b>CML OUTPUTS</b>					
$V_{OH}$	Output HIGH Voltage (Note 5) $V_{CC} = 2.5\text{ V}$ $V_{CC} = 1.8\text{ V}$	$V_{CC} - 30$ 2470 1770	$V_{CC} - 10$ 2490 1790	$V_{CC}$ 2500 1800	mV
$V_{OL}$	Output LOW Voltage (Note 5) $V_{CC} = 2.5\text{ V}$ $V_{CC} = 1.8\text{ V}$	$V_{CC} - 650$ 1850	$V_{CC} - 500$ 2000	$V_{CC} - 400$ 2100	mV
		$V_{CC} - 600$ 1200	$V_{CC} - 450$ 1350	$V_{CC} - 350$ 1450	
<b>DIFFERENTIAL CLOCK INPUTS DRIVEN SINGLE-ENDED</b> (Note 6) (Figures 5 and 7)					
$V_{th}$	Input Threshold Reference Voltage Range (Note 7)	1000		$V_{CC} - 100$	mV
$V_{IH}$	Single-Ended Input HIGH Voltage	$V_{th} + 100$		$V_{CC}$	mV
$V_{IL}$	Single-Ended Input LOW Voltage	$V_{EE}$		$V_{th} - 100$	mV
$V_{ISE}$	Single-Ended Input Voltage ( $V_{IH} - V_{IL}$ )	200		1200	mV
<b>DIFFERENTIAL D/D, CLK/CLK, R/R INPUTS DRIVEN DIFFERENTIALLY</b> (Figures 6 and 8) (Note 8)					
$V_{IHD}$	Differential Input HIGH Voltage	1100		$V_{CC}$	mV
$V_{ILD}$	Differential Input LOW Voltage	$V_{EE}$		$V_{CC} - 100$	mV
$V_{ID}$	Differential Input Voltage ( $V_{IHD} - V_{ILD}$ )	100		1200	mV
$V_{CMR}$	Input Common Mode Range (Differential Configuration, Note 9) (Figure 10)	1050		$V_{CC} - 50$	mV
$I_{IH}$	Input HIGH Current ( $V_{TX}/\sqrt{T_x}$ Open)	-250		250	$\mu\text{A}$
$I_{IL}$	Input LOW Current ( $V_{TX}/\sqrt{T_x}$ Open)	-250		250	$\mu\text{A}$
<b>TERMINATION RESISTORS</b>					
$R_{TIN}$	Internal Input Termination Resistor	45	50	55	$\Omega$
$R_{TOUT}$	Internal Output Termination Resistor	45	50	55	$\Omega$

NOTE: Device will meet the specifications after thermal equilibrium has been established when mounted in a test socket or printed circuit board with maintained transverse airflow greater than 500 lfm. Electrical parameters are guaranteed only over the declared operating temperature range. Functional operation of the device exceeding these conditions is not implied. Device specification limit values are applied individually under normal operating conditions and not valid simultaneously.

- Input and output parameters vary 1:1 with  $V_{CC}$ .
- CML outputs loaded with  $50\ \Omega$  to  $V_{CC}$  for proper operation.
- $V_{th}$ ,  $V_{IH}$ ,  $V_{IL}$ , and  $V_{ISE}$  parameters must be complied with simultaneously.
- $V_{th}$  is applied to the complementary input when operating in single-ended mode.
- $V_{IHD}$ ,  $V_{ILD}$ ,  $V_{ID}$  and  $V_{CMR}$  parameters must be complied with simultaneously.
- $V_{CMR}$  min varies 1:1 with  $V_{EE}$ ,  $V_{CMR}$  max varies 1:1 with  $V_{CC}$ . The  $V_{CMR}$  range is referenced to the most positive side of the differential input signal.

# NB7V52M

**Table 5. AC CHARACTERISTICS**  $V_{CC} = 1.71\text{ V to }2.625\text{ V}$ ;  $V_{EE} = 0\text{ V}$ ;  $T_A = -40^\circ\text{C to }85^\circ\text{C}$  (Note 10)

Symbol	Characteristic	Min	Typ	Max	Unit	
$f_{MAX}$	Maximum Input Clock Frequency	10	12		GHz	
$f_{DATA\ MAX}$	Maximum Input Data Rate (PRBS23)	10	12		Gbps	
$V_{OUTPP}$	Output Voltage Amplitude (@ $V_{INPPmin}$ ) (See Figures 3 and 10, Note 11)	$f_{in} \leq 7\text{ GHz}$ 300 $f_{in} \leq 10\text{ GHz}$ 250	400 400		mV	
$t_{PLH}$ , $t_{PHL}$	Propagation Delay to Differential Outputs, @ 1 GHz, Measured at Differential Cross-point	CLK/CLK to Q/Q R/R to Q/Q	200 300	350 600	ps	
$t_S$	Setup Time (D to CLK)	40	15		ps	
$t_H$	Hold Time (D to CLK)	50	20		ps	
$t_{RR}$	Reset Recovery	275	200		ps	
$t_{PW}$	Minimum Pulse Width	R/R	1		ns	
$t_{JITTER}$	RJ – Output Random Jitter (Note 12)	$f_{in} \leq 10\text{ GHz}$	0.2	0.8	ps RMS	
$V_{INPP}$	Input Voltage Swing (Differential Configuration) (Note 13)	100		1200	mV	
$t_r$ , $t_f$	Output Rise/Fall Times @ 1 GHz (20% – 80%),	Q, Q	20	35	50	ps

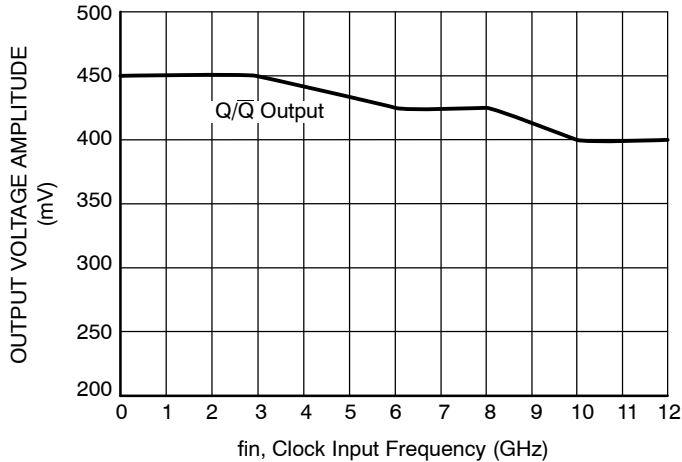
NOTE: Device will meet the specifications after thermal equilibrium has been established when mounted in a test socket or printed circuit board with maintained transverse airflow greater than 500 lfpm. Electrical parameters are guaranteed only over the declared operating temperature range. Functional operation of the device exceeding these conditions is not implied. Device specification limit values are applied individually under normal operating conditions and not valid simultaneously.

10. Measured using a 400 mV  $V_{INPP}$  source, 50% duty cycle clock source. All output loading with external  $50\ \Omega$  to  $V_{CC}$ . Input edge rates  $\geq 40\text{ ps}$  (20% – 80%).

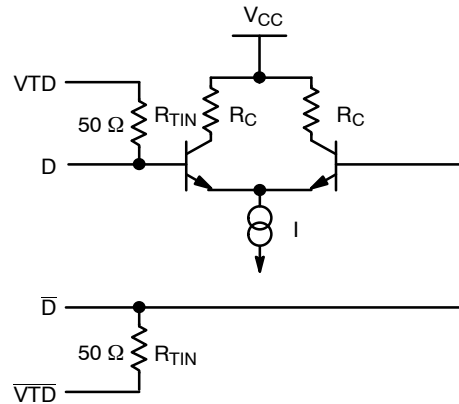
11. Output voltage swing is a single-ended measurement operating in differential mode.

12. Additive RMS jitter with 50% duty cycle clock signal.

13. Input voltage swing is a single-ended measurement operating in differential mode.



**Figure 3. Clock Output Voltage Amplitude ( $V_{OUTPP}$ ) vs. Input Frequency ( $f_{in}$ ) at Ambient Temperature (Typ)**



**Figure 4. Simplified Input Structure**

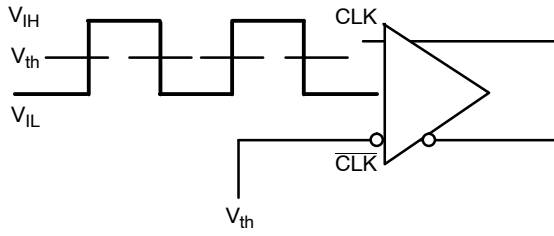


Figure 5. Differential Input Driven Single-Ended

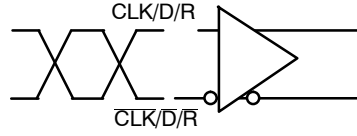


Figure 6. Differential Inputs Driven Differentially

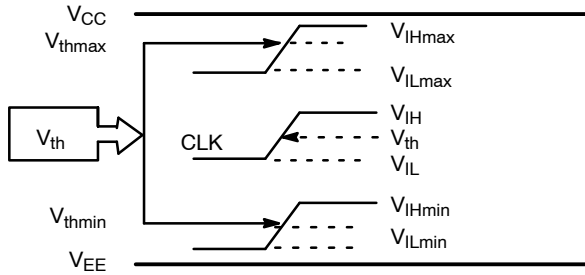


Figure 7.  $V_{th}$  Diagram

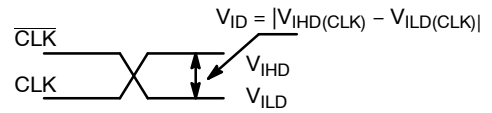


Figure 8. Differential Inputs Driven Differentially

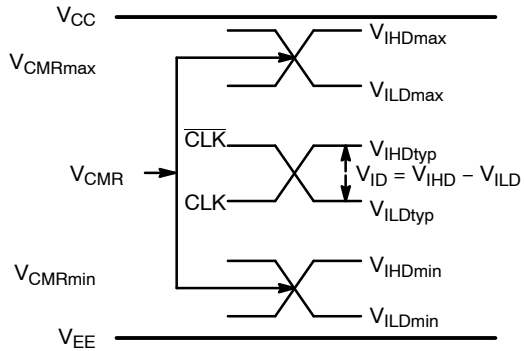


Figure 9.  $V_{CMR}$  Diagram

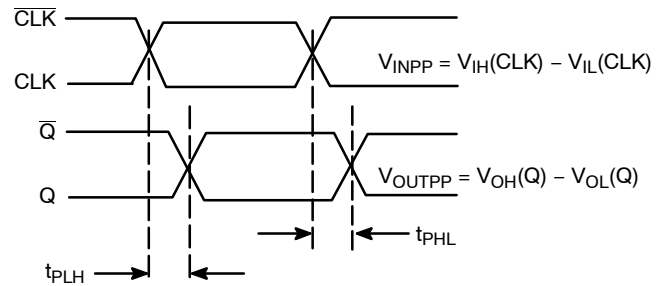


Figure 10. AC Reference Measurement

# NB7V52M

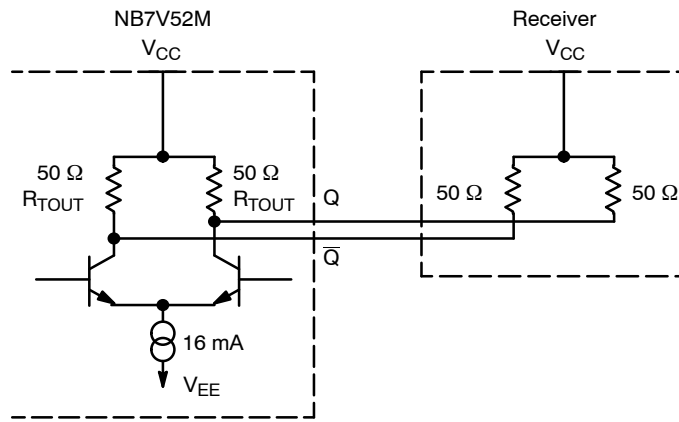


Figure 11. Typical CML Output Structure and Termination

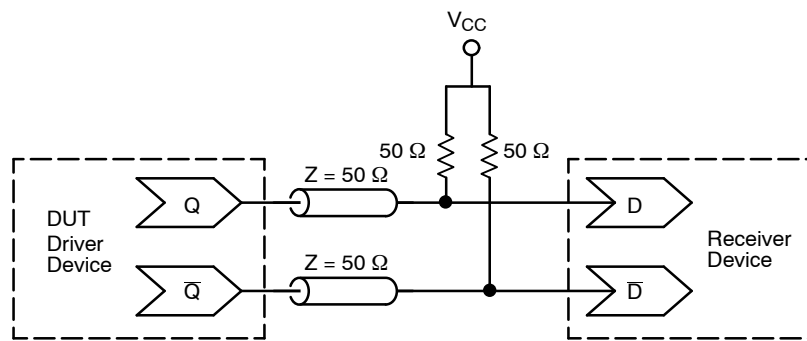


Figure 12. Typical Termination for CML Output Driver and Device Evaluation

# NB7V52M

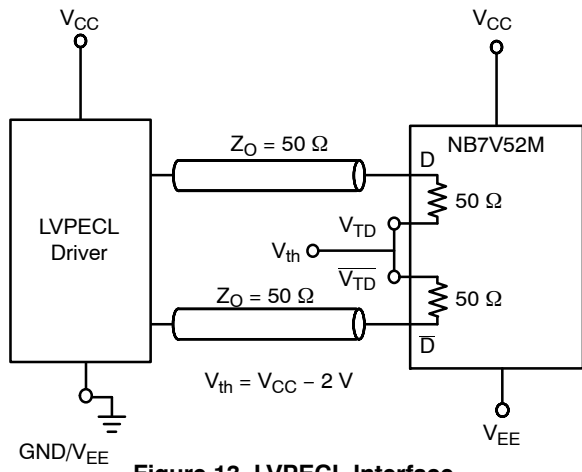


Figure 13. LVPECL Interface

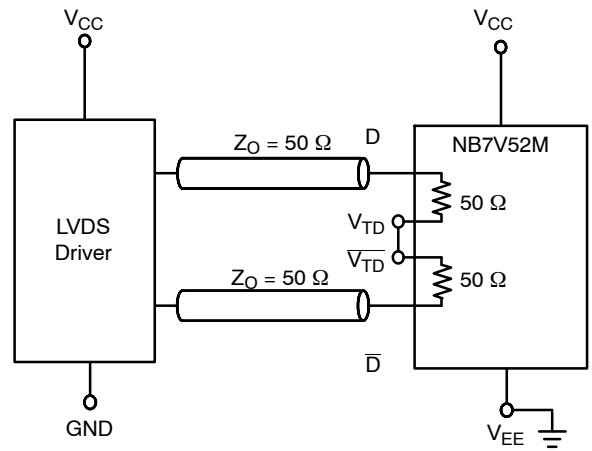


Figure 14. LVDS Interface

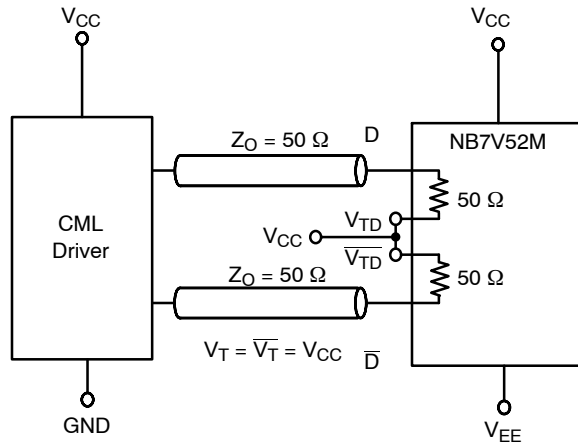


Figure 15. Standard 50  $\Omega$  Load CML Interface

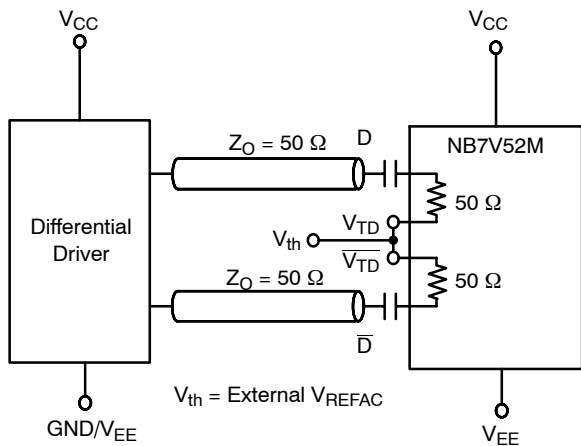


Figure 16. Capacitor-Coupled Differential Interface ( $V_T/\overline{V_T}$  Connected to External  $V_{REFAC}$ ;  $V_{REFAC}$  Bypassed to Ground with 0.1  $\mu F$  Capacitor)

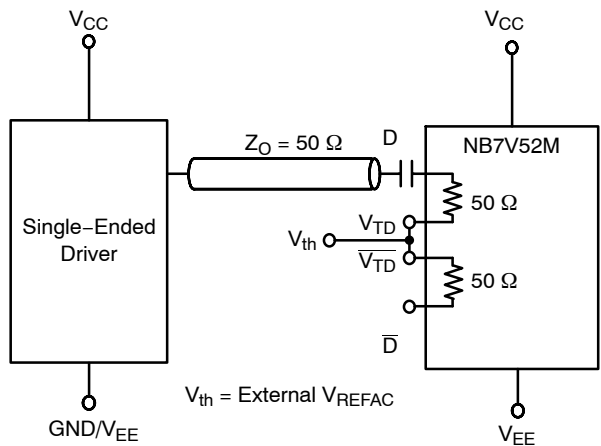


Figure 17. Capacitor-Coupled Single-Ended Interface ( $V_T/\overline{V_T}$  Connected to External  $V_{REFAC}$ ;  $V_{REFAC}$  Bypassed to Ground with 0.1  $\mu F$  Capacitor)



# NB7V52M

## ORDERING INFORMATION

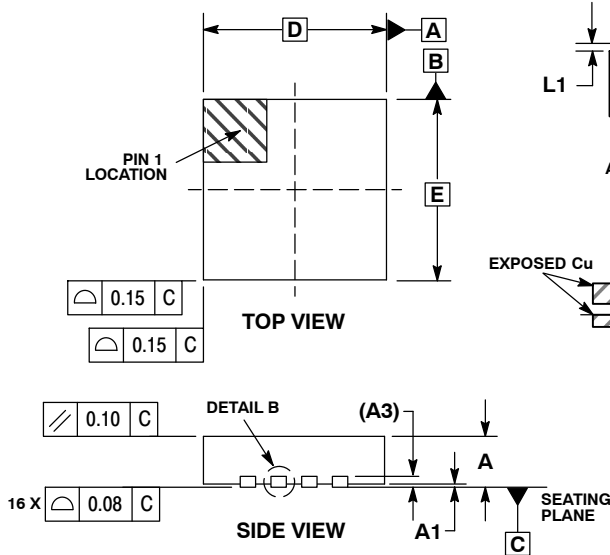
Device	Package	Shipping†
NB7V52MMNG	QFN-16 (Pb-free)	123 Units / Rail
NB7V52MMNHTBG	QFN-16 (Pb-free)	100 / Tape & Reel
NB7V52MMNTXG	QFN-16 (Pb-free)	3000 / Tape & Reel

†For information on tape and reel specifications, including part orientation and tape sizes, please refer to our Tape and Reel Packaging Specifications Brochure, BRD8011/D.

# NB7V52M

## PACKAGE DIMENSIONS

### 16 PIN QFN CASE 485G-01 ISSUE D

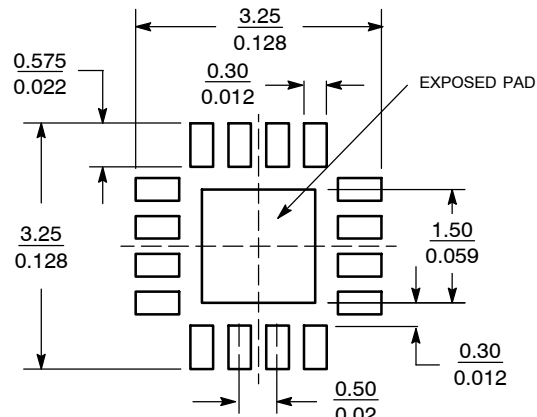
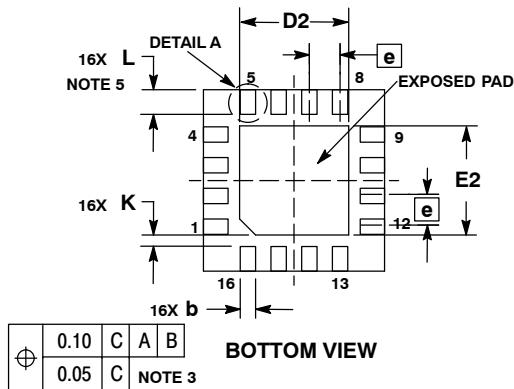


#### NOTES:

1. DIMENSIONING AND TOLERANCING PER ASME Y14.5M, 1994.
2. CONTROLLING DIMENSION: MILLIMETERS.
3. DIMENSION b APPLIES TO PLATED TERMINAL AND IS MEASURED BETWEEN 0.25 AND 0.30 MM FROM TERMINAL.
4. COPLANARITY APPLIES TO THE EXPOSED PAD AS WELL AS THE TERMINALS.
5.  $L_{max}$  CONDITION CAN NOT VIOLATE 0.2 MM MINIMUM SPACING BETWEEN LEAD TIP AND FLAG

DIM	MILLIMETERS	
	MIN	MAX
A	0.80	1.00
A1	0.00	0.05
A3	0.20	REF
b	0.18	0.30
D	3.00	BSC
D2	1.65	1.85
E	3.00	BSC
E2	1.65	1.85
e	0.50	BSC
K	0.18	TYP
L	0.30	0.50
L1	0.00	0.15

### SOLDERING FOOTPRINT\*



\*For additional information on our Pb-Free strategy and soldering details, please download the ON Semiconductor Soldering and Mounting Techniques Reference Manual, SOLDERRM/D.

The products described herein (NB7V52M), may be covered by U.S. patents including 6,362,644. There may be other patents pending. GigaComm is a trademark of Semiconductor Components Industries, LLC (SCILLC).

ON Semiconductor and are registered trademarks of Semiconductor Components Industries, LLC (SCILLC). SCILLC reserves the right to make changes without further notice to any products herein. SCILLC makes no warranty, representation or guarantee regarding the suitability of its products for any particular purpose, nor does SCILLC assume any liability arising out of the application or use of any product or circuit, and specifically disclaims any and all liability, including without limitation special, consequential or incidental damages. "Typical" parameters which may be provided in SCILLC data sheets and/or specifications can and do vary in different applications and actual performance may vary over time. All operating parameters, including "Typicals" must be validated for each customer application by customer's technical experts. SCILLC does not convey any license under its patent rights nor the rights of others. SCILLC products are not designed, intended, or authorized for use as components in systems intended for surgical implant into the body, or other applications intended to support or sustain life, or for any other application in which the failure of the SCILLC product could create a situation where personal injury or death may occur. Should Buyer purchase or use SCILLC products for any such unintended or unauthorized application, Buyer shall indemnify and hold SCILLC and its officers, employees, subsidiaries, affiliates, and distributors harmless against all claims, costs, damages, and expenses, and reasonable attorney fees arising out of, directly or indirectly, any claim of personal injury or death associated with such unintended or unauthorized use, even if such claim alleges that SCILLC was negligent regarding the design or manufacture of the part. SCILLC is an Equal Opportunity/Affirmative Action Employer. This literature is subject to all applicable copyright laws and is not for resale in any manner.

### PUBLICATION ORDERING INFORMATION

**LITERATURE FULFILLMENT:**  
Literature Distribution Center for ON Semiconductor  
P.O. Box 5163, Denver, Colorado 80217 USA  
**Phone:** 303-675-2175 or 800-344-3860 Toll Free USA/Canada  
**Fax:** 303-675-2176 or 800-344-3867 Toll Free USA/Canada  
**Email:** orderlit@onsemi.com

**N. American Technical Support:** 800-282-9855 Toll Free USA/Canada

**Japan:** ON Semiconductor, Japan Customer Focus Center  
2-9-1 Kamimeguro, Meguro-ku, Tokyo, Japan 153-0051  
**Phone:** 81-3-5773-3850

**ON Semiconductor Website:** <http://onsemi.com>

**Order Literature:** <http://www.onsemi.com/litorder>

For additional information, please contact your local Sales Representative.