

Power Management ICs for Automotive Body Control White Backlight LED Drivers for Medium to Large LCD Panels (Switching Regulator Type)



BD8112EFV-M

No.11039ECT11

●Description

BD8112EFV-M is a white LED driver with the capability of withstanding high input voltage (36V MAX). This driver has 2ch constant-current drivers integrated in 1-chip, which each channel can draw up to 150mA max, so that high brightness LED driving can be realized. Furthermore, a current-mode buck-boost DC/DC controller is also integrated to achieve stable operation against voltage input and also to remove the constraint of the number of LEDs in series connection. The brightness can be controlled by either PWM or VDAC techniques.

●Features

- 1) Input voltage range 5.0 -30 V
- 2) Integrated buck-boost current-mode DC/DC controller
- 3) Two integrated LED current driver channels (150 mA max. each channel)
- 4) PWM Light Modulation (Minimum Pulse Width 25μs)
- 5) Oscillation frequency accuracy ±5%
- 6) Built-in protection functions (UVLO, OVP, TSD, OCP, SCP)
- 7) LED abnormal status detection function (OPEN/ SHORT)
- 8) HTSSOP-B24 package

●Applications

Backlight for display audio, small type panels, etc.

●Absolute maximum ratings (Ta=25°C)

Parameter	Symbol	Ratings	Unit
Power supply voltage	V _{CC}	36	V
BOOT , OUTH Voltage	V _{BOOT} , V _{OUTH}	41	V
SW, CS Voltage	V _{SW} , V _{CS}	36	V
BOOT-SW Voltage	V _{BOOT-SW}	7	V
LED output voltage	V _{LED1,2}	36	V
V _{REG} , OVP, OUTL, FAIL1, FAIL2, LEDEN, ISET, VDAC, PWM, SS, COMP, RT, SYNC, EN voltage	V _{VREG} , V _{OVP} , V _{OUTL} , V _{FAIL1} , V _{FAIL2} , V _{LEDEN} , V _{ISET} , V _{VDAC} , V _{PWM} , V _{SS} , V _{COMP} , V _{RT} , V _{SYNC} , V _{EN}	-0.3~7 < V _{CC}	V
Power Consumption	P _d	1.10 ^{*1}	W
Operating temperature range	T _{opr}	-40~+105	°C
Storage temperature range	T _{stg}	-55~+150	°C
LED maximum output current	I _{LED}	150 ^{*2 *3}	mA
Junction temperature	T _{jmax}	150	°C

*1 IC mounted on glass epoxy board measuring 70mm x 70mm x 1.6mm, power dissipated at a rate of 8.8mw/°C at temperatures above 25°C.

*2 Dispersion figures for LED maximum output current and VF are correlated. Please refer to data on separate sheet.

*3 Amount of current per channel.

● Operating conditions (Ta=25°C)

Parameter	Symbol	Limits	Unit
Power supply voltage	V _{CC}	5.0~30	V
Oscillating frequency range	F _{OSC}	250~600	kHz
External synchronization frequency range ^{*4 *5}	F _{SYNC}	fosc~600	kHz
External synchronization pulse duty range	F _{SDUTY}	40~60	%

*4 Connect SYNC to GND or OPEN when not using external frequency synchronization.

*5 Do not switch between internal and external synchronization when an external synchronization signal is input to the device.

● Electrical characteristics (Unless otherwise specified, V_{CC}=12V Ta=25°C)

Parameter	Symbol	Limits			Unit	Conditions
		Min	Typ	Max.		
Circuit current	I _{CC}	-	7	14	mA	EN=Hi, SYNC=Hi, RT=OPEN PWM=Low, ISET=OPEN, C _{IN} =10μF
Standby current	I _{ST}	-	4	8	μA	EN=Low
[VREG Block (VREG)]						
Reference voltage	V _{REG}	4.5	5	5.5	V	I _{REG} =-5mA, C _{REG} =2.2μF
[OUTH Block]						
OUTH high-side ON resistance	R _{ONHH}	1.5	3.5	7.0	Ω	I _{ON} =-10mA
OUTH low-side ON resistance	R _{ONHL}	1.0	2.5	5.0	Ω	I _{ON} =10mA
Over-current protection operating voltage	V _{OLIMIT}	V _{CC} -0.66	V _{CC} -0.6	V _{CC} -0.54	V	
[OUTL Block]						
OUTL high-side ON resistance	R _{ONLH}	2.0	4.0	8.0	Ω	I _{ON} =-10mA
OUTL low-side ON resistance	R _{ONLL}	1.0	2.5	5.0	Ω	I _{ON} =10mA
[SW Block]						
SW low-side ON resistance	R _{ON_SW}	2.0	4.5	9.0	Ω	I _{ON_SW} =10mA
[Error Amplifier Block]						
LED voltage	V _{LED}	0.9	1.0	1.1	V	
COMP sink current	I _{COMPSINK}	15	25	35	μA	V _{LED} =2V, V _{comp} =1V
COMP source current	I _{COMPSOURCE}	-35	-25	-15	μA	V _{LED} =0V, V _{comp} =1V
[Oscillator Block]						
Oscillating frequency	F _{OSC}	285	300	315	KHz	R _T =100kΩ

© This product is not designed for use in radioactive environments.

Parameter	Symbol	Limits			Unit	Conditions
		Min	Typ	Max.		
[OVP Block]						
Over-voltage detection reference voltage	V_{OVP}	1.9	2.0	2.1	V	V_{OVP} =Sweep up
OVP hysteresis width	V_{OHYS}	0.45	0.55	0.65	V	V_{OVP} =Sweep down
SCP Latch OFF Delay Time	T_{SCP}	70	100	130	ms	$R_T=100k\Omega$
[UVLO Block]						
UVLO voltage	V_{UVLO}	4.0	4.3	4.6	V	V_{CC} : Sweep down
UVLO hysteresis width	V_{UHYS}	50	150	250	mV	V_{CC} : Sweep up
[LED Output Block]						
LED current relative dispersion width	ΔI_{LED1}	-3	-	+3	%	$I_{LED}=50mA$, $\Delta I_{LED1}=(I_{LED}/I_{LED_AVG}-1) \times 100$
LED current absolute dispersion width	ΔI_{LED2}	-5	-	+5	%	$I_{LED}=50mA$, $\Delta I_{LED2}=(I_{LED}/50mA-1) \times 100$
ISET voltage	V_{ISET}	1.96	2.0	2.04	V	$R_{ISET}=120k\Omega$
PWM minimum pulse width	T_{min}	25	-	-	μs	$F_{PWM}=150Hz$, $I_{LED}=50mA$
PWM maximum duty	D_{max}	-	-	100	%	$F_{PWM}=150Hz$, $I_{LED}=50mA$
PWM frequency	F_{PWM}	-	-	20	KHz	Duty=50%, $I_{LED}=50mA$
VDAC gain	G_{VDAC}	-	25	-	mA/V	$V_{DAC}=0\sim 2V$, $R_{ISET}=120k\Omega$ $I_{LED}=VDAC \div R_{ISET} \times Gain$
Open detection voltage	V_{OPEN}	0.2	0.3	0.4	V	V_{LED} = Sweep down
LED Short detection Voltage	V_{SHORT}	4.2	4.5	4.8	V	V_{OVP} = Sweep up
LED Short Latch OFF Delay Time	T_{SHORT}	70	100	130	ms	$R_T=100k\Omega$
PWM Latch OFF Delay Time	T_{PWM}	70	100	130	ms	$R_T=100k\Omega$
[Logic Inputs (EN, SYNC, PWM, LEDEN)]						
Input HIGH voltage	V_{INH}	2.1	-	5.5	V	
Input LOW voltage	V_{INL}	GND	-	0.8	V	
Input current 1	I_{IN}	20	35	50	μA	$V_{IN}=5V$ (SYNC, PWM, LEDEN)
Input current 2	I_{EN}	15	25	35	μA	$V_{EN}=5V$ (EN)
[FAIL Output (open drain)]						
FAIL LOW voltage	V_{OL}	-	0.1	0.2	V	$I_{OL}=0.1mA$

©This product is not designed for use in radioactive environments.

●Electrical characteristic curves (Reference data) (Unless otherwise specified, Ta=25°C)

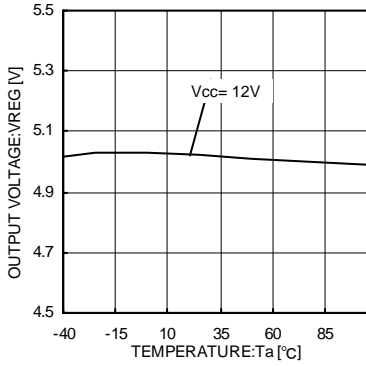


Fig.1 VREG temperature characteristic

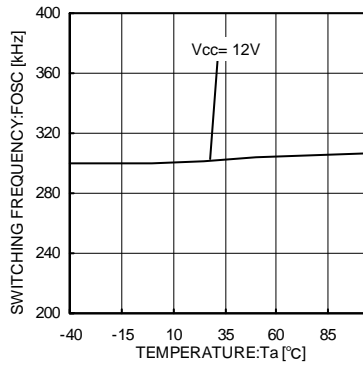


Fig.2 OSC temperature characteristic

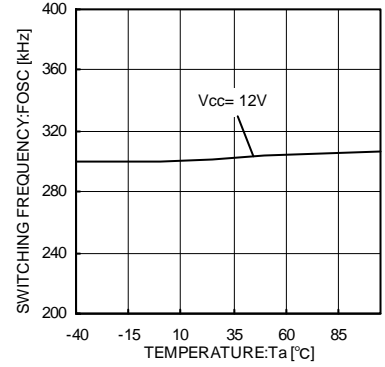


Fig.3 ILED depend on VLED

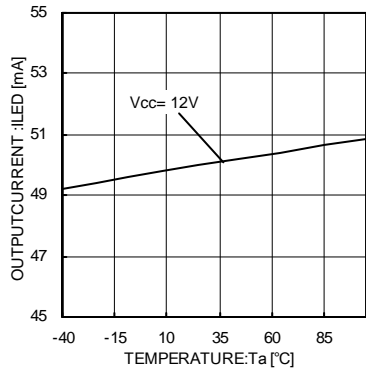


Fig.4 ILED temperature characteristic

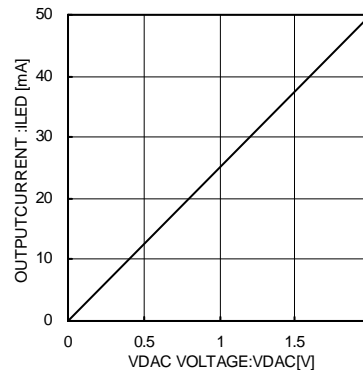


Fig.5 VDAC Gain①

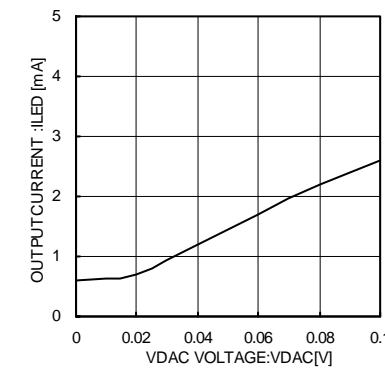


Fig.6 VDAC Gain②

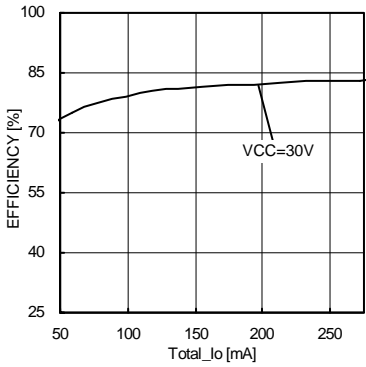


Fig.7 Efficiency (LED2 Parallel 5 step)

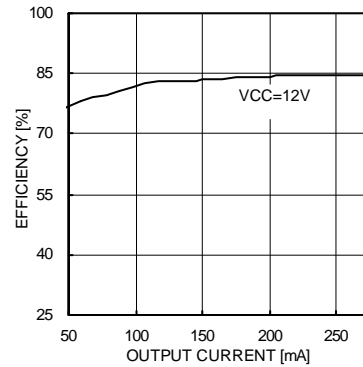


Fig.8 Efficiency (LED2 Parallel 7 step)

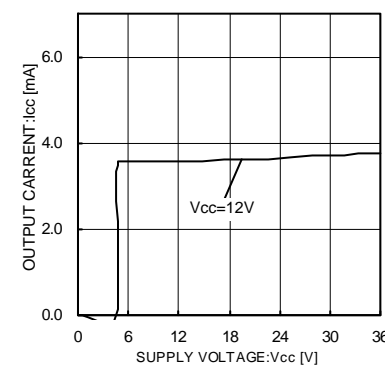


Fig.9 Circuit Current (Switching OFF)

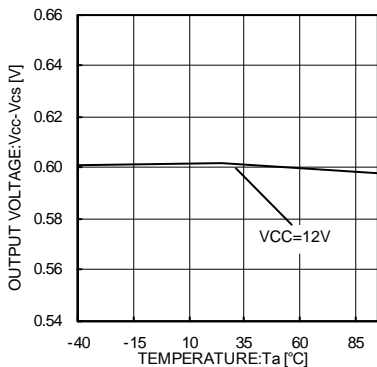


Fig.10 Overcurrent detecting voltage temperature characteristic

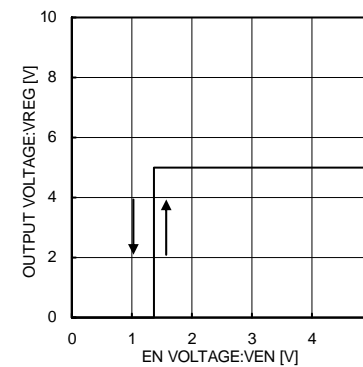


Fig.11 EN threshold voltage

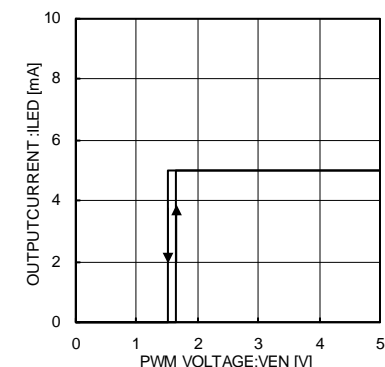


Fig.12 PWM threshold voltage

●Block diagram and pin configuration

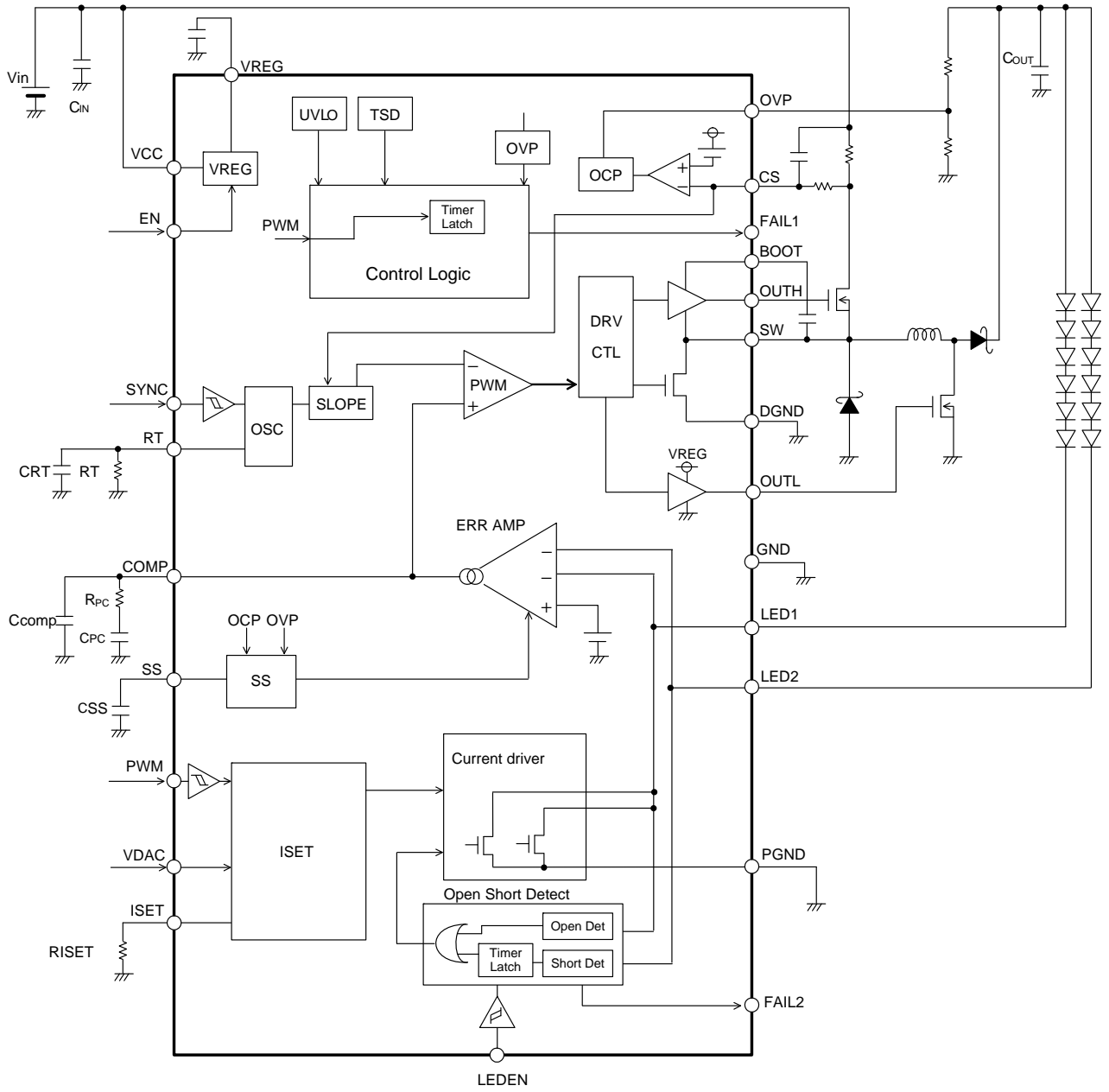


Fig.13

● Pin layout

BD8112EFV-M(HTSSOP-B24)

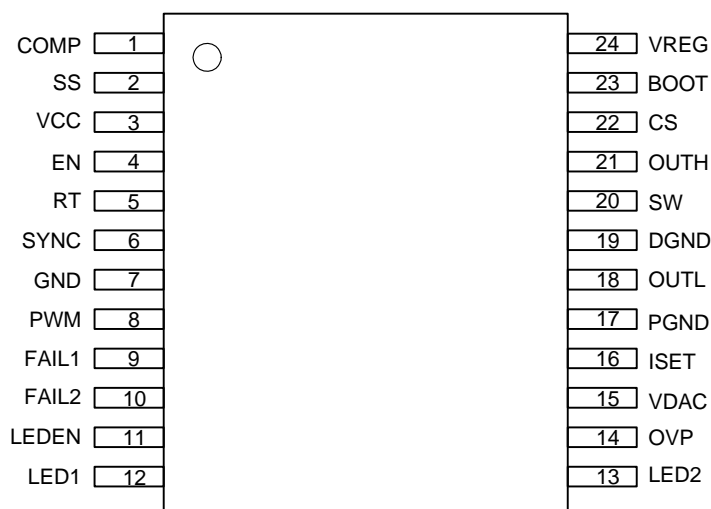


Fig.14

● Pin function table

Pin	Symbol	Function
1	COMP	Error amplifier output
2	SS	Soft start time-setting capacitance input
3	VCC	Input power supply
4	EN	Enable input
5	RT	Oscillation frequency-setting resistance input
6	SYNC	External synchronization signal input
7	GND	Small-signal GND
8	PWM	PWM light modulation input
9	FAIL1	Failure signal output
10	FAIL2	LED open/short detection signal output
11	LEDEN	LED output enable pin
12	LED1	LED output 1
13	LED2	LED output 2
14	OVP	Over-voltage detection input
15	VDAC	DC variable light modulation input
16	ISET	LED output current-setting resistance input
17	PGND	LED output GND
18	OUTL	Low-side external MOSFET Gate Drive out put
19	DGND	Low-side internal MOSFET Source out put
20	SW	High-side external MOSFET Source pin
21	OUTH	High-side external MOSFET Gate Drive out pin
22	CS	DC/DC Current Sense Pin
23	BOOT	High-side MOSFET Power Supply pin
24	VREG	Internal reference voltage output

●5V voltage reference (VREG)

5V (Typ.) is generated from the VCC input voltage when the enable pin is set high. This voltage is used to power internal circuitry, as well as the voltage source for device pins that need to be fixed to a logical HIGH. UVLO protection is integrated into the VREG pin. The voltage regulation circuitry operates uninterrupted for output voltages higher than 4.45 V (Typ.), but if output voltage drops to 4.3 V (Typ.) or lower, UVLO engages and turns the IC off. Connect a capacitor (Creg = 2.2μF Typ.) to the VREG terminal for phase compensation. Operation may become unstable if Creg is not connected.

●Constant-current LED drivers

If less than four constant-current drivers are used, unused channels should be switched off via the LEDEN pin configuration. The truth table for these pins is shown below. If a driver output is enabled but not used (i.e. left open), the IC's open circuit-detection circuitry will operate. Please keep the unused pins open. The LEDEN terminals are pulled down internally in the IC, so if left open, the IC will recognize them as logic LO. However, they should be connected directly to VREG or fixed to a logic HI when in use.

LED EN	LED	
	1	2
L	ON	ON
H	ON	OFF

• Output current setting

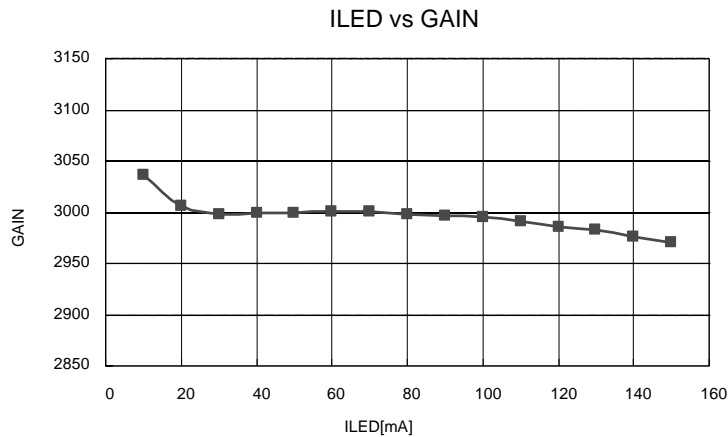
LED current is computed via the following equation:

$$I_{LED} = \min[V_{DAC}, V_{SET}(=2.0V)] / R_{SET} \times GAIN [A]$$

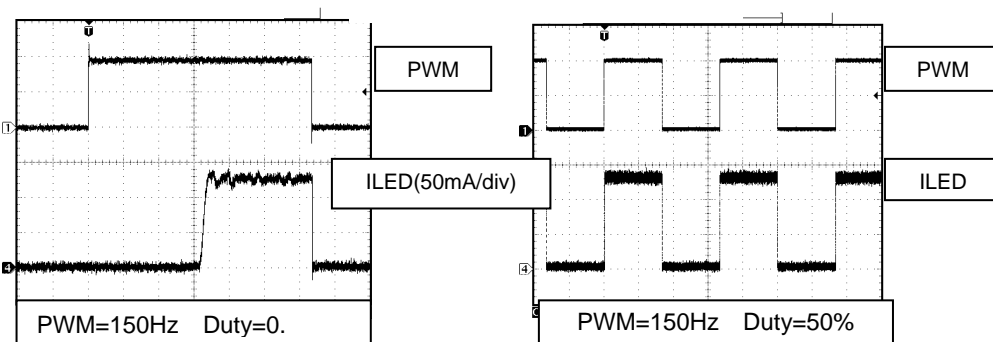
(min[V_{DAC}, 2.0V] = the smaller value of either V_{DAC} or V_{SET}; GAIN = set by internal circuitry.)

In applications where an external signal is used for output current control, a control voltage in the range of 0.0 to 2.0 V can be connected on the VD_{DAC} pin to control according to the above equation. If an external control signal is not used, connect the VD_{DAC} pin to VREG (do not leave the pin open as this may cause the IC to malfunction). Also, do not switch individual channels on or off via the LEDEN pin while operating in PWM mode.

The following diagram illustrates the relation between I_{LED} and GAIN.



In PWM intensity control mode, the ON/OFF state of each current driver is controlled directly by the input signal on the PWM pin; thus, the duty ratio of the input signal on the PWM pin equals the duty ratio of the LED current. When not controlling intensity via PWM, fix the PWM terminal to a high voltage (100%). Output light intensity is greatest at 100% input.



● Buck-Boost DC/DC controller

- Number of LEDs in series connection

Output voltage of the DCDC converter is controlled such that the forward voltage over each of the LEDs on the output is set to 1.0V (Typ.). DCDC operation is performed only when the LED output is operating. When two or more LED outputs are operating simultaneously, the LED voltage output is held at 1.0V (Typ.) per LED over the column of LEDs with the highest VF value. The voltages of other LED outputs are increased only in relation to the fluctuation of voltage over this column. Consideration should be given to the change in power dissipation due to variations in VF of the LEDs. Please determine the allowable maximum VF variance of the total LEDs in series by using the description as shown below:

$$\text{VF variation allowable voltage } 3.7\text{V (Typ.)} = \text{short detecting voltage } 4.5\text{V (Typ.)} - \text{LED control voltage } 1.0\text{V (Typ.)}$$

The number of LEDs that can be connected in series is limited due to the open-circuit protection circuit, which engages at 85% of the set OVP voltage. Therefore, the maximum output voltage of the under normal operation becomes 30.6 V (= 36 V x 0.85, where (30.6 V - 1.0 V) / VF > N [maximum number of LEDs in series]).

- Over-voltage protection circuit (OVP)

The output of the DCDC converter should be connected to the OVP pin via a voltage divider. In determining an appropriate trigger voltage of for OVP function, consider the total number of LEDs in series and the maximum variation in VF. Also, bear in mind that over-current protection (OCP) is triggered at 0.85 x OVP trigger voltage. If the OVP function engages, it will not release unless the DCDC voltage drops to 72.5% of the OVP trigger voltage. For example, if ROVP1 (output voltage side), ROVP2 (GND side), and DCDC voltages VOUT are conditions for OVP, then:

$$\text{VOUT} \geq (\text{ROVP1} + \text{ROVP2}) / \text{ROVP2} \times 2.0 \text{ V.}$$

$$\text{OVP will engage when } \text{VOUT} \geq 32 \text{ V if } \text{ROVP1} = 330 \text{ k}\Omega \text{ and } \text{ROVP2} = 22 \text{ k}\Omega.$$

- Buck-boost DC/DC converter oscillation frequency (FOSC)

The regulator's internal triangular wave oscillation frequency can be set via a resistor connected to the RT pin (pin 5). This resistor determines the charge/discharge current to the internal capacitor, thereby changing the oscillating frequency. Refer to the following theoretical formula when setting RT:

$$f_{osc} = \frac{30 \times 10^6}{\text{RT} [\Omega]} \times \alpha \text{ [kHz]}$$

30×10^6 (V/A/S) is a constant ($\pm 5\%$) determined by the internal circuitry, and α is a correction factor that varies in relation to RT:

$$\{ \text{RT: } \alpha = 50\text{k}\Omega: 0.94, 60\text{k}\Omega: 0.985, 70\text{k}\Omega: 0.99, 80\text{k}\Omega: 0.994, 90\text{k}\Omega: 0.996, 100\text{k}\Omega: 1.0, 150\text{k}\Omega: 1.01, 200\text{k}\Omega: 1.02, 300\text{k}\Omega: 1.03, 400\text{k}\Omega: 1.04, 500\text{k}\Omega: 1.045 \}$$

A resistor in the range of 47k Ω ~523k Ω is recommended. Settings that deviate from the frequency range shown below may cause switching to stop, and proper operation cannot be guaranteed.

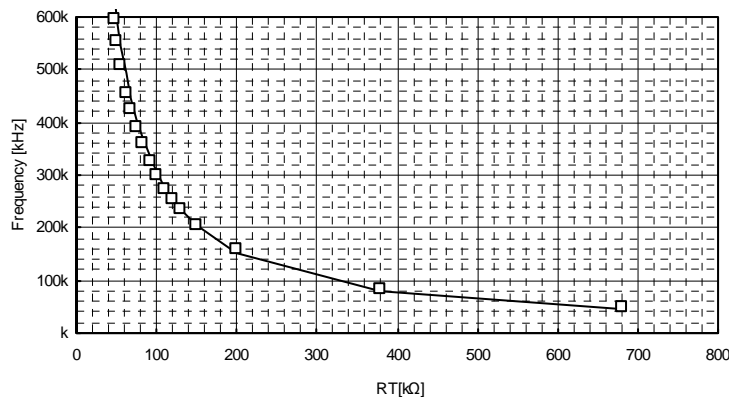


Fig.15 RT versus switching frequency

- External DC/DC converter oscillating frequency synchronization (FSYNC)

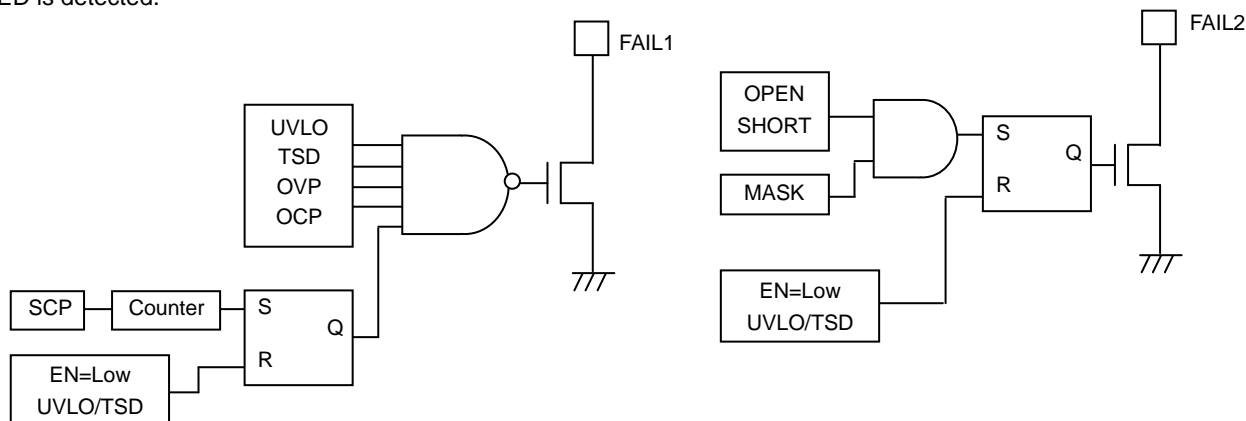
Do not switch from external to internal oscillation of the DC/DC converter if an external synchronization signal is present on the SYNC pin. When the signal on the SYNC terminal is switched from high to low, a delay of about 30 μ s (typ.) occurs before the internal oscillation circuitry starts to operate (only the rising edge of the input clock signal on the SYNC terminal is recognized). Moreover, if external input frequency is less than the internal oscillation frequency, the internal oscillator will engage after the above-mentioned 30 μ s (typ.) delay; thus, does not input a synchronization signal with a frequency less than the internal oscillation frequency.

- Soft Start Function

The soft-start (SS) limits the current and slows the rise-time of the output voltage during the start-up, and hence leads to prevention of the overshoot of the output voltage and the inrush current.

- Self-diagnostic functions

The operating status of the built-in protection circuitry is propagated to FAIL1 and FAIL2 pins (open-drain outputs). FAIL1 becomes low when UVLO, TSD, OVP, or SCP protection is engaged, whereas FAIL2 becomes low when open or short LED is detected.



- Operation of the Protection Circuitry

- Under-Voltage Lock Out (UVLO)

The UVLO shuts down all the circuits other than REG when $V_{REG} \leq 4.3V$ (TYP).

- Thermal Shut Down (TSD)

The TSD shuts down all the circuits other than REG when the T_j reaches $175^\circ C$ (TYP), and releases when the T_j becomes below $150^\circ C$ (TYP).

- Over Current Protection (OCP)

The OCP detects the current through the power-FET by monitoring the voltage of the high-side resistor, and activates when the CS voltage becomes less than $V_{CC}-0.6V$ (TYP).

When the OCP is activated, the external capacitor of the SS pin becomes discharged and the switching operation of the DCDC turns off.

- Over Voltage Protection (OVP)

The output voltage of the DCDC is detected with the OVP-pin voltage, and the protection activates when the OVP-pin voltage becomes greater than $2.0V$ (TYP).

When the OVP is activated, the external capacitor of the SS pin becomes discharged and the switching operation of the DCDC turns off.

- Short Circuit Protection (SCP)

When the LED-pin voltage becomes less than $0.3V$ (TYP), the internal counter starts operating and latches off the circuit approximately after $100ms$ (when $F_{OSC} = 300 kHz$). If the LED-pin voltage becomes over $0.3V$ before $100ms$, then the counter resets. When the LED anode (i.e. DCDC output voltage) is shorted to ground, then the LED current becomes off and the LED-pin voltage becomes low. Furthermore, the LED current also becomes off when the LED cathode is shorted to ground. Hence in summary, the SCP works with both cases of the LED anode and the cathode being shorted.

- LED Open Detection

When the LED-pin voltage $\leq 0.3V$ (TYP) as well as OVP-pin voltage $\geq 1.7V$ (TYP) simultaneously, the device detects as LED open and latches off that particular channel.

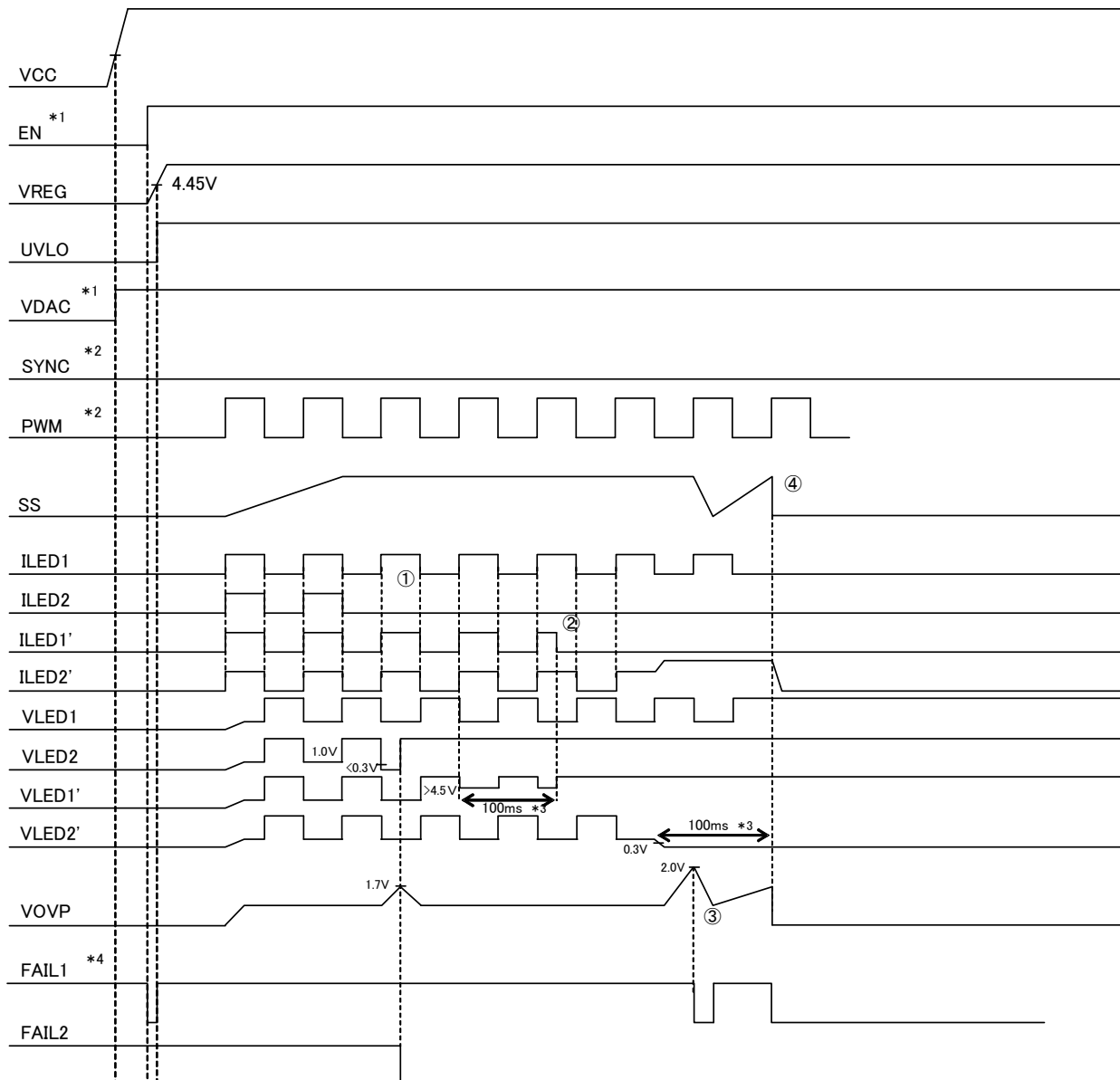
- LED Short Detection

When the LED-pin voltage $\geq 4.5V$ (TYP) as well as OVP-pin voltage $\leq 1.6V$ (TYP) simultaneously the internal counter starts operating, and approximately after 100ms (when FOSC = 300 kHz) the only detected channel (as LED short) latches off. With the PWM brightness control, the detecting operation is processed only when PWM-pin = High. If the condition of the detection operation is released before 100ms (when FOSC = 300 kHz), then the internal counter resets.

* The counter frequency is the DCDC switching frequency determined by the RT. The latch proceeds at the count of 32770.

Protection	Detecting Condition		Operation after detect
	[Detect]	[Release]	
UVLO	VREG<4.3V	VREG>4.45V	All blocks (but except REG) shut down
TSD	T _j >175°C	T _j <150°C	All blocks (but except REG) shut down
OVP	VOVP>2.0V	VOVP<1.45V	SS discharged
OCP	VCS \leq VCC-0.6V	VCS>VCC-0.6V	SS discharged
SCP	VLED<0.3V (100ms delay when FOSC=300kHz)	EN or UVLO	Counter starts and then latches off all blocks (but except REG)
LED open	VLED<0.3V & VOVP>1.7V	EN or UVLO	The only detected channel latches off
LED short	VLED>4.5V & VOVP<1.6V (100ms delay when FOSC=300kHz)	EN or UVLO	The only detected channel latches off (after the counter sets)

● Protection Sequence



*1 After VCC voltage reached to operating conditions, set VDAC voltage, and turn on the EN.

After $V_{REG} \geq 4.6V$, turn on SYNC and PWM inputs.

*2 Don't care input sequence PWM and SYNC.

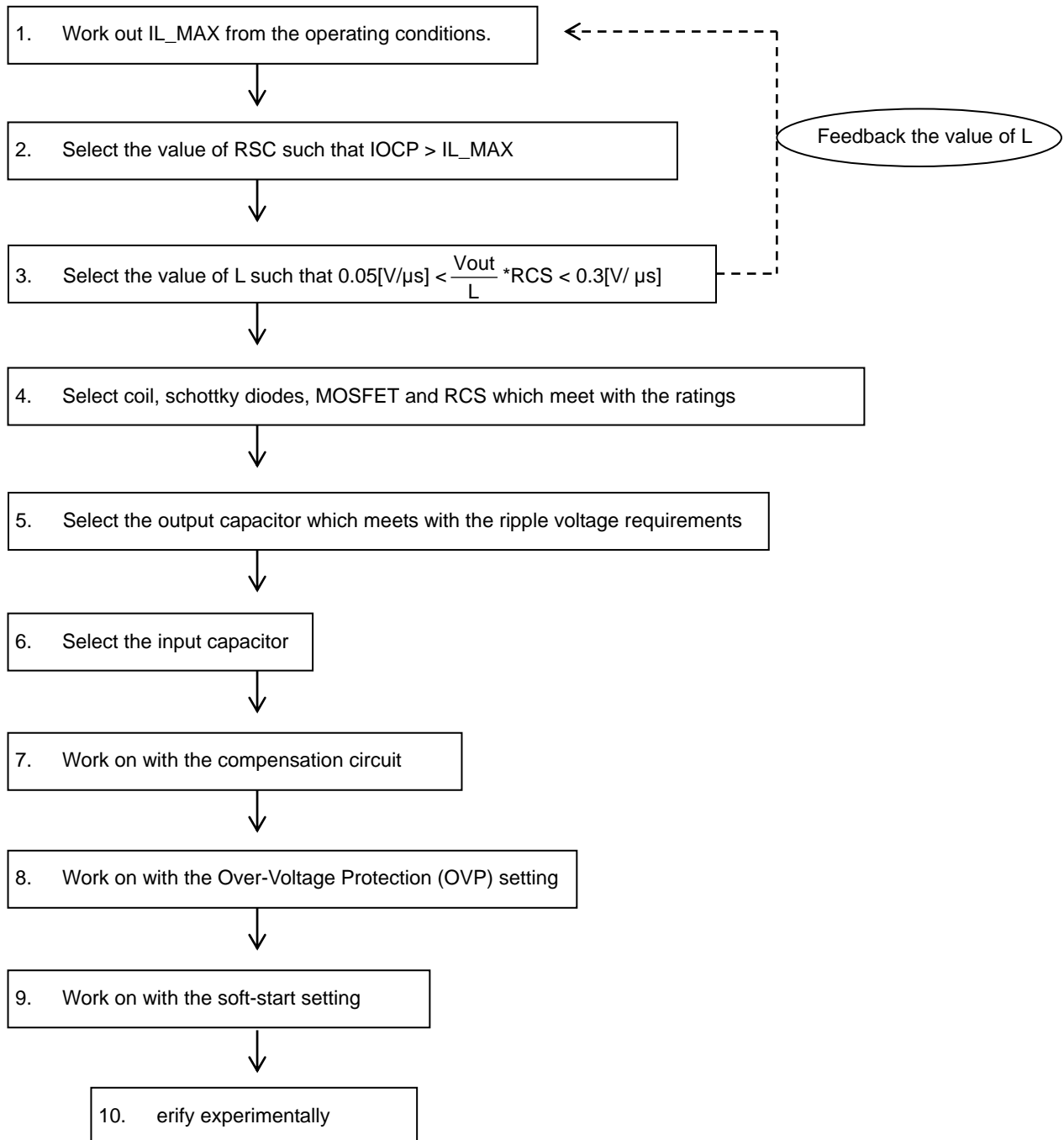
*3 Aprox 100ms of delay when $F_{osc} = 300kHz$

*4 When FAIL1 pull-up to outside power supply.

- ① Case for LED2 in open-mode
When $V_{LED2} < 0.3V$ and $VOVP > 1.7V$ simultaneously, then LED2 becomes off and FAIL2 becomes low
- ② Case for LED1' in short-mode
When $V_{LED1'} > 4.5V$ and $VOVP < 1.6V$ simultaneously, then LED1' becomes off after 100ms approx
- ③ Case for LED2' in short to GND
 - ③-1 DCDC output voltage increases, and then SS discharges and FAIL1 becomes low
 - ③-2 Detects $V_{LED2'} < 0.3V$ and shuts down after 100ms approx

● Procedure for external components selection

Follow the steps as shown below for selecting the external components



1. Computation of the Input Peak Current and IL_MAX

① Calculation of the maximum output voltage (Vout_max)

To calculate the Vout_max, it is necessary to take into account of the VF variation and the number of LED connection in series.

$$V_{out_max} = (VF + \Delta VF) \times N + 1.0V \quad \Delta VF: VF \text{ Variation} \quad N: \text{Number of LED connection in series}$$

② Calculation of the output current Iout

$$I_{out} = I_{LED} \times 1.05 \times M$$

M : Number of LED connection in parallel

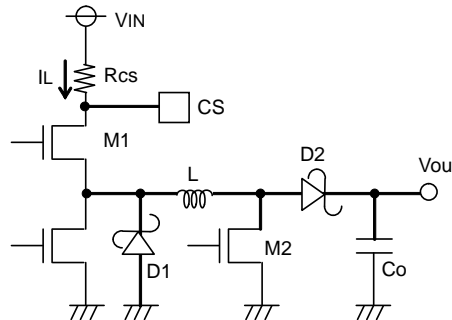
③ Calculation of the input peak current IL_MAX

$$I_{L_MAX} = I_{L_AVG} + 1/2 \Delta IL$$

$$I_{L_AVG} = (V_{IN} + V_{out}) \times I_{out} / (n \times V_{IN})$$

$$\Delta IL = \frac{V_{IN}}{L} \times \frac{1}{F_{osc}} \times \frac{V_{out}}{V_{IN} + V_{out}} \quad n: \text{efficiency} \quad F_{osc}: \text{switching frequency}$$

- The worst case scenario for VIN is when it is at the minimum, and thus the minimum value should be applied in the equation.
- The L value of 10μF ~ 47μF is recommended. The current-mode type of DC/DC conversion is adopted for BD8112EFV-M, which is optimized with the use of the recommended L value in the design stage. This recommendation is based upon the efficiency as well as the stability. The L values outside this recommended range may cause irregular switching waveform and hence deteriorate stable operation.
- n (efficiency) is approximately 80%



External Application Circuit

2. The setting of over-current protection

Choose Rcs with the use of the equation $V_{ocp_min} (=0.54V) / R_{cs} > I_{L_MAX}$

When investigating the margin, it is worth noting that the L value may vary by approximately ±30%.

3. The selection of the L

In order to achieve stable operation of the current-mode DC/DC converter, we recommend selecting the L value in the range indicated below:

$$0.05 [V/\mu s] < \frac{V_{out} \times R_{cs}}{L} < 0.3 [V/\mu s]$$

The smaller $\frac{V_{out} \times R_{cs}}{L}$ allows stability improvement but slows down the response time.

4. Selection of coil L, diode D1 and D2, MOSFET M1 and M2, and Rcs

	Current rating	Voltage rating	Heat loss
Coil L	> IL_MAX	—	
Diode D1	> Iocp	> VIN_MAX	
Diode D2	> Iocp	> Vout	
MOSFET M1	> Iocp	> VIN_MAX	
MOSFET M2	> Iocp	> Vout	
Rcs	—	—	> Iocp ² × Rcs

* Allow some margin, such as the tolerance of the external components, when selecting.

* In order to achieve fast switching, choose the MOSFETs with the smaller gate-capacitance.

5. Selection of the output capacitor

Select the output capacitor C_{out} based on the requirement of the ripple voltage V_{pp} .

$$V_{pp} = \frac{I_{out}}{C_{out}} \times \frac{V_{out}}{V_{out}+V_{IN}} \times \frac{1}{F_{osc}} + I_{L_MIN} \times RESR$$

Choose C_{out} that allows the V_{pp} to settle within the requirement. Allow some margin also, such as the tolerance of the external components.

6. Selection of the input capacitor

A capacitor at the input is also required as the peak current flows between the input and the output in DC/DC conversion. We recommend an input capacitor greater than $10\mu\text{F}$ with the ESR smaller than $100\text{m}\Omega$. The input capacitor outside of our recommendation may cause large ripple voltage at the input and hence lead to malfunction.

7. Phase Compensation Guidelines

In general, the negative feedback loop is stable when the following condition is met:

- Overall gain of 1 (0dB) with a phase lag of less than 150° (i.e. a phase margin of 30° or more)

However, as the DC/DC converter constantly samples the switching frequency, the gain-bandwidth (GBW) product of the entire series should be set to 1/10 the switching frequency of the system. Therefore, the overall stability characteristics of the application are as follows:

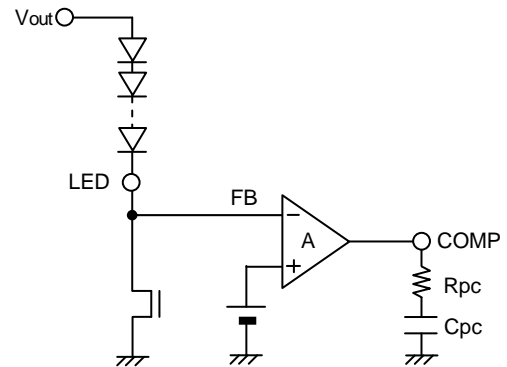
- Overall gain of 1 (0dB) with a phase lag of less than 150° (i.e. a phase margin of 30° or more)
- GBW (frequency at gain 0dB) of 1/10 the switching frequency

Thus, to improve response within the GBW product limits, the switching frequency must be increased.

The key for achieving stability is to place f_z near to the GBW.

$$\text{Phase-lead } f_z = \frac{1}{2\pi C_{pc}R_{pc}} \text{ [Hz]}$$

$$\text{Phase-lag } f_{p1} = \frac{1}{2\pi R_L C_{out}} \text{ [Hz]}$$



Good stability would be obtained when the f_z is set between $1\text{kHz} \sim 10\text{kHz}$.

In buck-boost applications, Right-Hand-Plane (RHP) Zero exists. This Zero has no gain but a pole characteristic in terms of phase. As this Zero would cause instability when it is in the control loop, so it is necessary to bring this zero before the GBW.

$$f_{RHP} = \frac{V_{out}+V_{IN}}{2\pi I_{LOAD}L} \text{ [Hz]} \quad I_{LOAD}: \text{Maximum Load Current}$$

It is important to keep in mind that these are very loose guidelines, and adjustments may have to be made to ensure stability in the actual circuitry. It is also important to note that stability characteristics can change greatly depending on factors such as substrate layout and load conditions. Therefore, when designing for mass-production, stability should be thoroughly investigated and confirmed in the actual physical design.

8. Setting of the over-voltage protection

We recommend setting the over-voltage protection V_{ovp} 1.2V to 1.5V greater than V_{out} which is adjusted by the number of LEDs in series connection. Less than 1.2V may cause unexpected detection of the LED open and short during the PWM brightness control. For the V_{ovp} greater than 1.5V, the LED short detection may become invalid.

9. Setting of the soft-start

The soft-start allows minimization of the coil current as well as the overshoot of the output voltage at the start-up.

For the capacitance we recommend in the range of $0.001 \sim 0.1\mu\text{F}$. For the capacitance less than $0.001\mu\text{F}$ may cause overshoot of the output voltage. For the capacitance greater than $0.1\mu\text{F}$ may cause massive reverse current through the parasitic elements of the IC and damage the whole device. In case it is necessary to use the capacitance greater than $0.1\mu\text{F}$, ensure to have a reverse current protection diode at the V_{cc} or a bypass diode placed between the SS-pin and the V_{cc} .

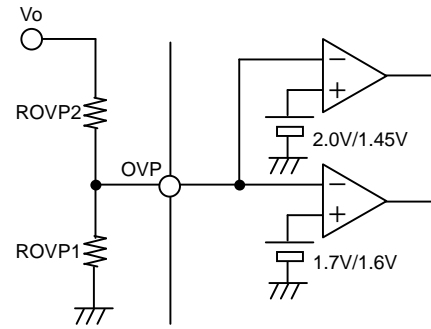
Soft-start time TSS

$$TSS = CSS \times 0.7V / 5\mu\text{A} [\text{s}]$$

CSS: The capacitance at the SS-pin

10. Verification of the operation by taking measurements

The overall characteristic may change by load current, input voltage, output voltage, inductance, load capacitance, switching frequency, and the PCB layout. We strongly recommend verifying your design by taking the actual measurements.



● Power Dissipation Calculation

Power dissipation can be calculated as follows:

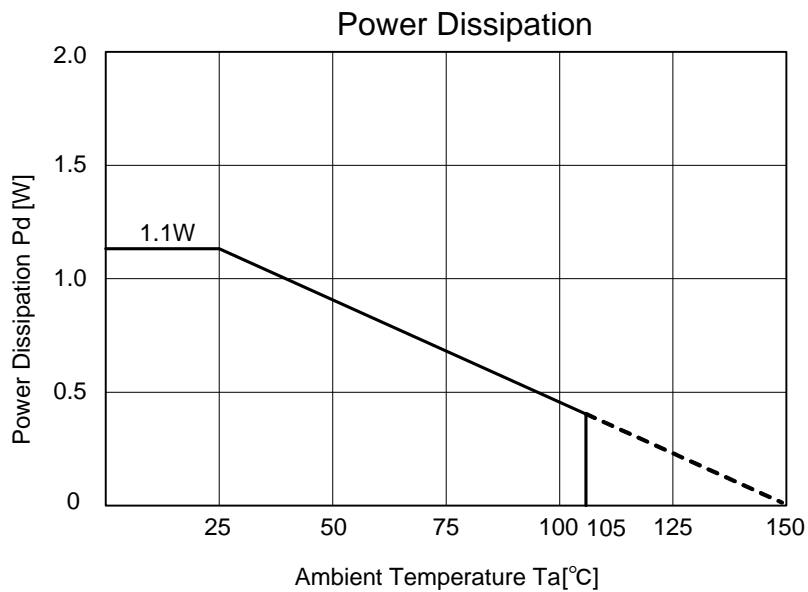
$$P_c(N) = I_{CC} \cdot V_{CC} + 2 \cdot C_{iss} \cdot V_{REG} \cdot F_{sw} \cdot V_{CC} + [V_{LED} \cdot N + \Delta V_f \cdot (N-1)] \cdot I_{LED}$$

I_{CC}	Maximum circuit current
V_{CC}	Supply power voltage
C_{iss}	External FET capacitance
V_{sw}	SW gate voltage
F_{sw}	SW frequency
V_{LED}	LED control voltage
N	LED parallel numeral
ΔV_f	LED V_f fluctuation
I_{LED}	LED output current

Sample Calculation:

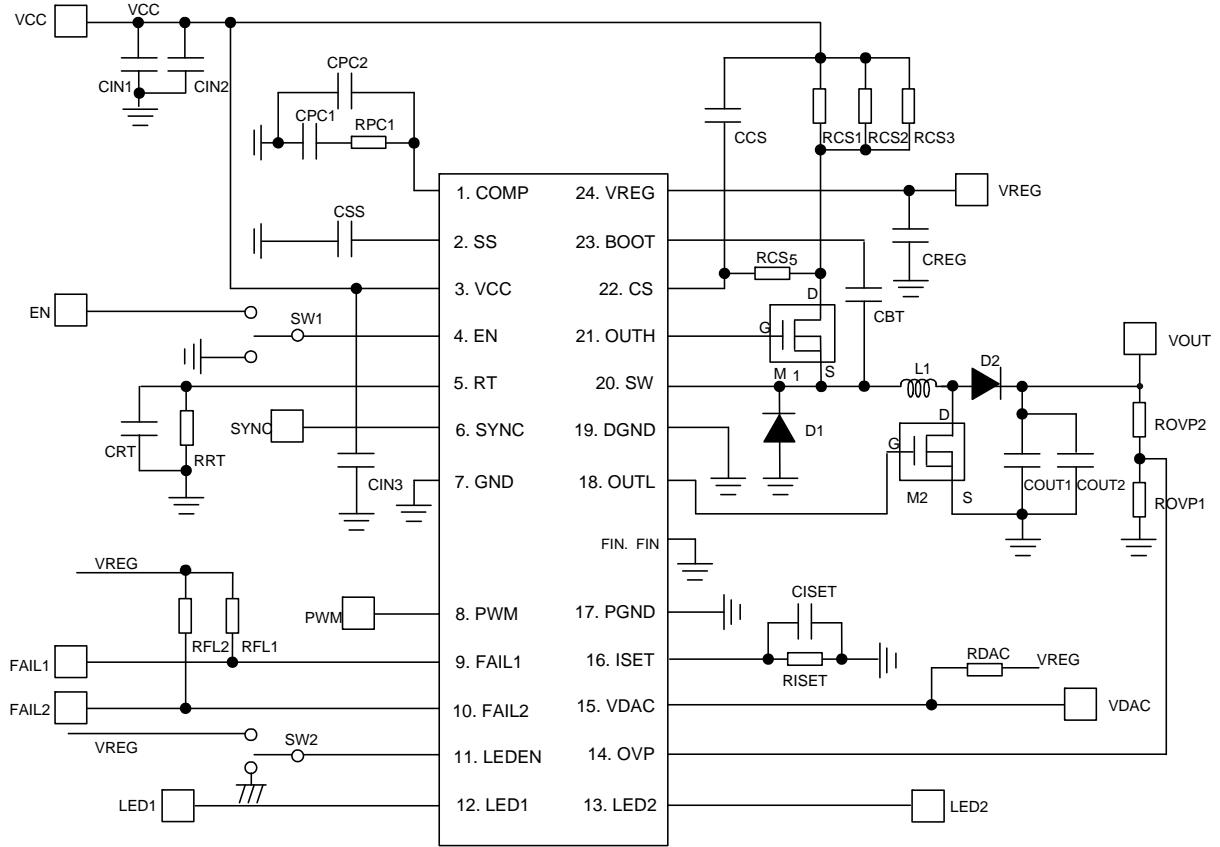
$$P_c(2) = 10\text{mA} \times 30\text{V} + 500\text{pF} \times 5\text{V} \times 300\text{kHz} \times 30\text{V} + [1.0\text{V} \times 2 + \Delta V_f \times 1] \times 100\text{mA}$$

$$\text{When } \Delta V_f = 3.0\text{V}, P_c(2) = 0.82\text{W}$$



Note 1: Power dissipation calculated when mounted on 70mm X 70mm X 1.6mm glass epoxy substrate (1-layer platform/copper thickness 18 μ m)

Note 2: Power dissipation changes with the copper foil density of the board. This value represents only observed values, not guaranteed values.



●How to select parts of application

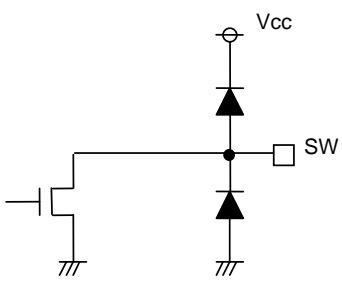
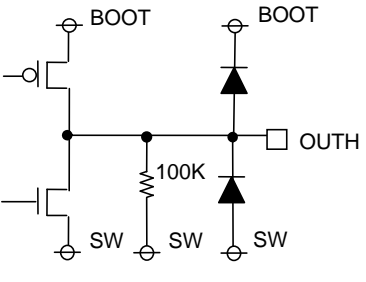
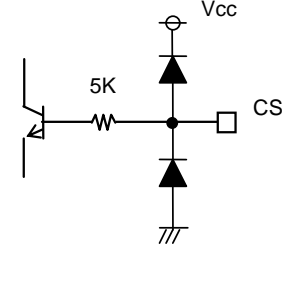
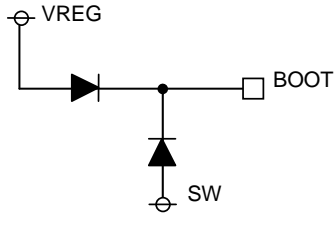
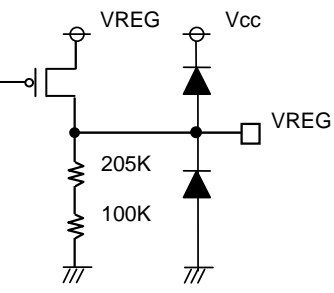
serial No.	component name	component value	product name	Manufacturer
1	CIN1	10 μ F	GRM31CB31E106KA75B	murata
2	CIN2	—		
3	CIN3	—		
4	CPC1	0.1 μ F		
5	CPC2	—		murata
6	RPC1	510 Ω		
7	CSS	0.1 μ F	GRM188B31H104KA92	murata
8	RRT	100k Ω	MCR03 Series	Rohm
9	CRT	—		
10	RFL1	100k Ω	MCR03 Series	Rohm
11	RFL2	100k Ω	MCR03 Series	Rohm
12	CCS	—		
13	RCS1	620m Ω	MCR100JZHFLR620	Rohm
14	RCS2	620m Ω	MCR100JZHFLR620	Rohm
15	RCS3	—		
16	RCS5	0 Ω		
17	CREG	2.2 μ F	GRM188B31A225KE33	murata
18	CBT	0.1 μ F	GRM188B31H104KA92	murata
19	M1	—	RSH070N05	Rohm
20	M2	—	RSH070N05	Rohm
21	D1	—	RB050L-40	Rohm
22	D2	—	RF201L2S	Rohm
23	L1	33 μ H	CDRH105R330	Sumida
24	COUT1	10 μ F	GRM31CB31E106KA75B	murata
25	COUT2	10 μ F	GRM31CB31E106KA75B	murata
26	ROVP1	30k Ω	MCR03 Series	Rohm
27	ROVP2	360k Ω	MCR03 Series	Rohm
28	RISSET	120k Ω	MCR03 Series	Rohm
29	CISSET	—		
30	RDAC	0 Ω		

When performing open/short tests of the external components, the open condition of D1 or D2 may cause permanent damage to the driver and/or the external components. In order to prevent this, we recommend having parallel connections for D1 and D2.

● Input/output Equivalent Circuits (terminal name follows pin number)

<p>1. COMP</p>	<p>2. SS</p>	<p>4. EN</p>
<p>5. RT</p>	<p>6. SYNC, 8. PWM</p>	<p>9. FAIL1, 10. FAIL2</p>
<p>11. LEDEN</p>	<p>12. LED1, 13. LED2</p>	<p>14. OVP</p>
<p>15. VDAC</p>	<p>16. ISET</p>	<p>18. OUTL</p>

*All values typical.

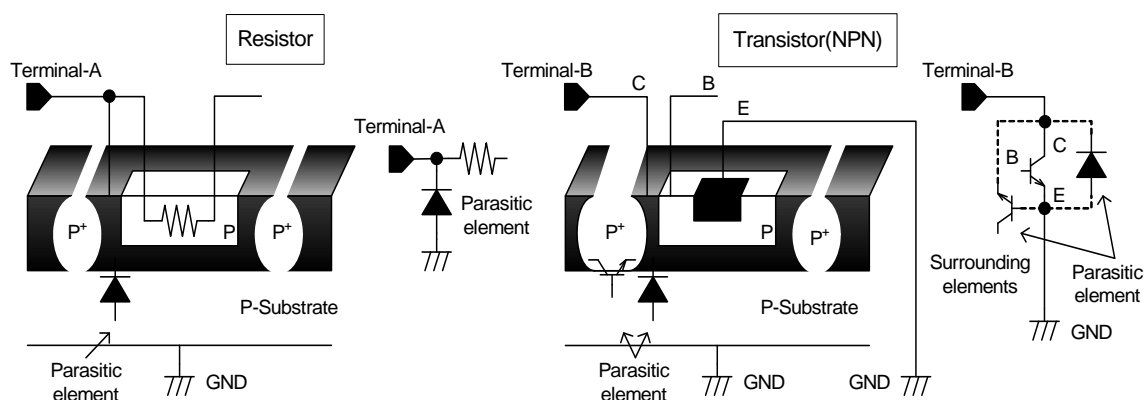
<p>20. SW</p> 	<p>21. OUTH</p> 	<p>22. CS</p> 
<p>23. BOOT</p> 	<p>24. VREG</p> 	

*All values typical.

●Notes for use

- Absolute maximum ratings**
We are careful enough for quality control about this IC. So, there is no problem under normal operation, excluding that it exceeds the absolute maximum ratings. However, this IC might be destroyed when the absolute maximum ratings, such as impressed voltages or the operating temperature range (T_{opr}) is exceeded, and whether the destruction is short circuit mode or open circuit mode cannot be specified. Please take into consideration the physical countermeasures for safety, such as fusing, if a particular mode that exceeds the absolute maximum rating is assumed.
- Reverse polarity connection**
Connecting the power line to the IC in reverse polarity (from that recommended) will damage the part. Please utilize the direction protection device as a diode in the supply line.
- Power supply line**
Due to return of regenerative current by reverse electromotive force, using electrolytic and ceramic suppress filter capacitors ($0.1\mu\text{F}$) close to the IC power input terminals (V_{cc} and GND) are recommended. Please note the electrolytic capacitor value decreases at lower temperatures and examine to dispense physical measures for safety.
And, for ICs with more than one power supply, it is possible that rush current may flow instantaneously due to the internal powering sequence and delays. Therefore, give special consideration to power coupling capacitance, width of power wiring, GND wiring, and routing of wiring. Please make the power supply lines (where large current flow) wide enough to reduce the resistance of the power supply patterns, because the resistance of power supply pattern might influence the usual operation.
- GND line**
The ground line is where the lowest potential and transient voltages are connected to the IC.
- Thermal design**
Do not exceed the power dissipation (P_d) of the package specification rating under actual operation, and please design enough temperature margins.
- Short circuit mode between terminals and wrong mounting**
Do not mount the IC in the wrong direction and be careful about the reverse-connection of the power connector. Moreover, this IC might be destroyed when the dust short the terminals between them or power supply, GND.

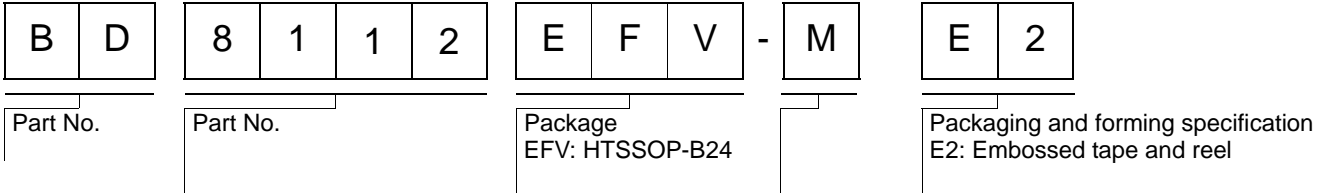
7. Radiation
Strong electromagnetic radiation can cause operation failures.
8. ASO(Area of Safety Operation.)
Do not exceed the maximum ASO and the absolute maximum ratings of the output driver.
9. TSD(Thermal shut-down)
The TSD is activated when the junction temperature (T_j) reaches 175°C (with 25°C hysteresis), and the output terminal is switched to Hi-z. The TSD circuit aims to intercept IC from high temperature. The guarantee and protection of IC are not purpose. Therefore, please do not use this IC after TSD circuit operates, nor use it for assumption that operates the TSD circuit.
10. Inspection by the set circuit board
The stress might hang to IC by connecting the capacitor to the terminal with low impedance. Then, please discharge electricity in each and all process. Moreover, in the inspection process, please turn off the power before mounting the IC, and turn on after mounting the IC. In addition, please take into consideration the countermeasures for electrostatic damage, such as giving the earth in assembly process, transportation or preservation.
11. IC terminal input
This IC is a monolithic IC, and has P^+ isolation and P substrate for the element separation. Therefore, a parasitic PN junction is formed in this P-layer and N-layer of each element. For instance, the resistor or the transistor is connected to the terminal as shown in the figure below. When the GND voltage potential is greater than the voltage potential at Terminals A or B, the PN junction operates as a parasitic diode. In addition, the parasitic NPN transistor is formed in said parasitic diode and the N layer of surrounding elements close to said parasitic diode. These parasitic elements are formed in the IC because of the voltage relation. The parasitic element operating causes the wrong operation and destruction. Therefore, please be careful so as not to operate the parasitic elements by impressing to input terminals lower voltage than GND (P substrate). Please do not apply the voltage to the input terminal when the power-supply voltage is not impressed. Moreover, please impress each input terminal lower than the power-supply voltage or equal to the specified range in the guaranteed voltage when the power-supply voltage is impressing.



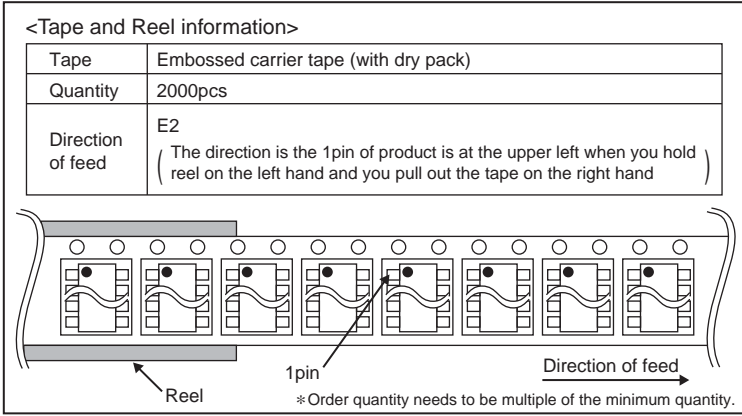
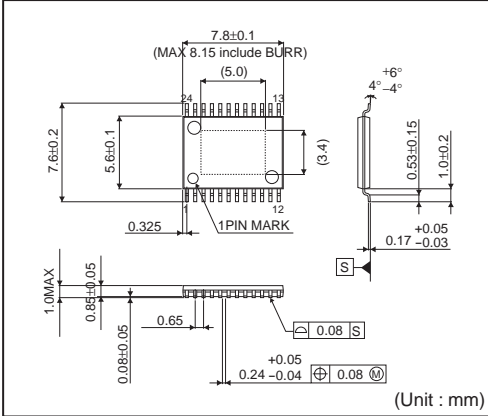
Simplified structure of IC

12. Earth wiring pattern
Use separate ground lines for control signals and high current power driver outputs. Because these high current outputs that flows to the wire impedance changes the GND voltage for control signal. Therefore, each ground terminal of IC must be connected at the one point on the set circuit board. As for GND of external parts, it is similar to the above-mentioned.

●Ordering part number



HTSSOP-B24



Notice

Precaution on using ROHM Products

1. If you intend to use our Products in devices requiring extremely high reliability (such as medical equipment ^(Note 1), aircraft/spacecraft, nuclear power controllers, etc.) and whose malfunction or failure may cause loss of human life, bodily injury or serious damage to property ("Specific Applications"), please consult with the ROHM sales representative in advance. Unless otherwise agreed in writing by ROHM in advance, ROHM shall not be in any way responsible or liable for any damages, expenses or losses incurred by you or third parties arising from the use of any ROHM's Products for Specific Applications.

(Note1) Medical Equipment Classification of the Specific Applications

JAPAN	USA	EU	CHINA
CLASS III	CLASS III	CLASS II b	CLASS III
CLASS IV		CLASS III	

2. ROHM designs and manufactures its Products subject to strict quality control system. However, semiconductor products can fail or malfunction at a certain rate. Please be sure to implement, at your own responsibilities, adequate safety measures including but not limited to fail-safe design against the physical injury, damage to any property, which a failure or malfunction of our Products may cause. The following are examples of safety measures:
 - [a] Installation of protection circuits or other protective devices to improve system safety
 - [b] Installation of redundant circuits to reduce the impact of single or multiple circuit failure
3. Our Products are not designed under any special or extraordinary environments or conditions, as exemplified below. Accordingly, ROHM shall not be in any way responsible or liable for any damages, expenses or losses arising from the use of any ROHM's Products under any special or extraordinary environments or conditions. If you intend to use our Products under any special or extraordinary environments or conditions (as exemplified below), your independent verification and confirmation of product performance, reliability, etc, prior to use, must be necessary:
 - [a] Use of our Products in any types of liquid, including water, oils, chemicals, and organic solvents
 - [b] Use of our Products outdoors or in places where the Products are exposed to direct sunlight or dust
 - [c] Use of our Products in places where the Products are exposed to sea wind or corrosive gases, including Cl₂, H₂S, NH₃, SO₂, and NO₂
 - [d] Use of our Products in places where the Products are exposed to static electricity or electromagnetic waves
 - [e] Use of our Products in proximity to heat-producing components, plastic cords, or other flammable items
 - [f] Sealing or coating our Products with resin or other coating materials
 - [g] Use of our Products without cleaning residue of flux (even if you use no-clean type fluxes, cleaning residue of flux is recommended); or Washing our Products by using water or water-soluble cleaning agents for cleaning residue after soldering
 - [h] Use of the Products in places subject to dew condensation
4. The Products are not subject to radiation-proof design.
5. Please verify and confirm characteristics of the final or mounted products in using the Products.
6. In particular, if a transient load (a large amount of load applied in a short period of time, such as pulse. is applied, confirmation of performance characteristics after on-board mounting is strongly recommended. Avoid applying power exceeding normal rated power; exceeding the power rating under steady-state loading condition may negatively affect product performance and reliability.
7. De-rate Power Dissipation (Pd) depending on Ambient temperature (Ta). When used in sealed area, confirm the actual ambient temperature.
8. Confirm that operation temperature is within the specified range described in the product specification.
9. ROHM shall not be in any way responsible or liable for failure induced under deviant condition from what is defined in this document.

Precaution for Mounting / Circuit board design

1. When a highly active halogenous (chlorine, bromine, etc.) flux is used, the residue of flux may negatively affect product performance and reliability.
2. In principle, the reflow soldering method must be used; if flow soldering method is preferred, please consult with the ROHM representative in advance.

For details, please refer to ROHM Mounting specification

Precautions Regarding Application Examples and External Circuits

1. If change is made to the constant of an external circuit, please allow a sufficient margin considering variations of the characteristics of the Products and external components, including transient characteristics, as well as static characteristics.
2. You agree that application notes, reference designs, and associated data and information contained in this document are presented only as guidance for Products use. Therefore, in case you use such information, you are solely responsible for it and you must exercise your own independent verification and judgment in the use of such information contained in this document. ROHM shall not be in any way responsible or liable for any damages, expenses or losses incurred by you or third parties arising from the use of such information.

Precaution for Electrostatic

This Product is electrostatic sensitive product, which may be damaged due to electrostatic discharge. Please take proper caution in your manufacturing process and storage so that voltage exceeding the Products maximum rating will not be applied to Products. Please take special care under dry condition (e.g. Grounding of human body / equipment / solder iron, isolation from charged objects, setting of ionizer, friction prevention and temperature / humidity control).

Precaution for Storage / Transportation

1. Product performance and soldered connections may deteriorate if the Products are stored in the places where:
 - [a] the Products are exposed to sea winds or corrosive gases, including Cl₂, H₂S, NH₃, SO₂, and NO₂
 - [b] the temperature or humidity exceeds those recommended by ROHM
 - [c] the Products are exposed to direct sunshine or condensation
 - [d] the Products are exposed to high Electrostatic
2. Even under ROHM recommended storage condition, solderability of products out of recommended storage time period may be degraded. It is strongly recommended to confirm solderability before using Products of which storage time is exceeding the recommended storage time period.
3. Store / transport cartons in the correct direction, which is indicated on a carton with a symbol. Otherwise bent leads may occur due to excessive stress applied when dropping of a carton.
4. Use Products within the specified time after opening a humidity barrier bag. Baking is required before using Products of which storage time is exceeding the recommended storage time period.

Precaution for Product Label

QR code printed on ROHM Products label is for ROHM's internal use only.

Precaution for Disposition

When disposing Products please dispose them properly using an authorized industry waste company.

Precaution for Foreign Exchange and Foreign Trade act

Since our Products might fall under controlled goods prescribed by the applicable foreign exchange and foreign trade act, please consult with ROHM representative in case of export.

Precaution Regarding Intellectual Property Rights

1. All information and data including but not limited to application example contained in this document is for reference only. ROHM does not warrant that foregoing information or data will not infringe any intellectual property rights or any other rights of any third party regarding such information or data. ROHM shall not be in any way responsible or liable for infringement of any intellectual property rights or other damages arising from use of such information or data.:
2. No license, expressly or implied, is granted hereby under any intellectual property rights or other rights of ROHM or any third parties with respect to the information contained in this document.

Other Precaution

1. This document may not be reprinted or reproduced, in whole or in part, without prior written consent of ROHM.
2. The Products may not be disassembled, converted, modified, reproduced or otherwise changed without prior written consent of ROHM.
3. In no event shall you use in any way whatsoever the Products and the related technical information contained in the Products or this document for any military purposes, including but not limited to, the development of mass-destruction weapons.
4. The proper names of companies or products described in this document are trademarks or registered trademarks of ROHM, its affiliated companies or third parties.

General Precaution

1. Before you use our Products, you are requested to carefully read this document and fully understand its contents. ROHM shall not be in any way responsible or liable for failure, malfunction or accident arising from the use of any ROHM's Products against warning, caution or note contained in this document.
2. All information contained in this document is current as of the issuing date and subject to change without any prior notice. Before purchasing or using ROHM's Products, please confirm the latest information with a ROHM sales representative.
3. The information contained in this document is provided on an "as is" basis and ROHM does not warrant that all information contained in this document is accurate and/or error-free. ROHM shall not be in any way responsible or liable for any damages, expenses or losses incurred by you or third parties resulting from inaccuracy or errors of or concerning such information.