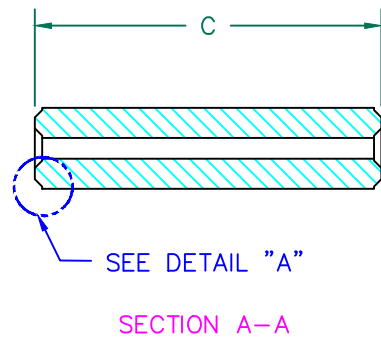
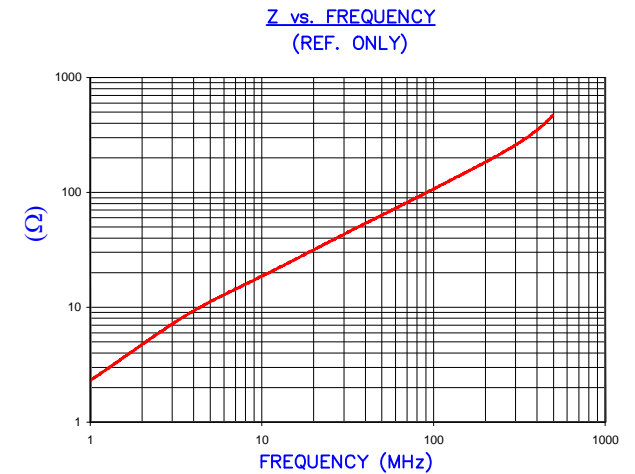


DETAIL "A"  
CHAMFER  
SCALE=20:1



**UNCONTROLLED DOCUMENT**

IMPEDANCE ( Z )			
Frequency	25 MHz	100 MHz	300 MHz
Nominal (REF)	36 Ω	98 Ω	245 Ω
Minimum	- Ω	78 Ω	- Ω



AGILENT E4991A Impedance/Material Analyzer  
HP 16092A-Test Fixture, REF # 3009

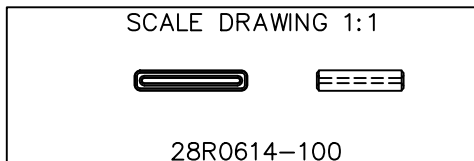
FERRITE CORE DIMENSIONS (SPEC): mm [in]

A	15.60 [.614]	±	0.30 [.012]
B	13.60 [.535]	±	0.26 [.010]
C	12.00 [.472]	±	0.25 [.010]
D	2.80 [.110]	±	0.25 [.010] - 0.20 [.008]
E	0.70 [.028]	±	0.15 [.006]

WEIGHT/1000     1.96 kgs     [4.32 Lbs]

NOTES: UNLESS OTHERWISE SPECIFIED

1. COSMETIC SPECIFICATION REFER TO WI-QA-038.



DIMENSIONS ARE IN mm [INCHES].				This print is the property of Laird Tech. and is loaned in confidence subject to return upon request and with the understanding that no copies shall be made without the written consent of Laird Tech. All rights to design or invention are reserved.			
H	UPDATE LOGO	05/25/15	QIU				
G	UPDATE D DIMENSION	03/29/11	Jcai	PROJECT/PART NUMBER: <b>28R0614-100</b>			
F	UPDATE COMPANY LOGO UPDATE TOLERANCES ON DIMS A & B	01/14/09	JRK				
E	UPDATE COMPANY LOGO	03/07/08	TMB	REV	H	PART TYPE: FERRITE CORE	DRAWN BY: JRK
D	UPDATE MIN Z SPECS UPDATE COMPANY LOGO	07/27/07	JRK	DATE:	10/15/02	SCALE:	4:1
C	UPDATE MIN Z SPECS @100 Mhz ADD REF #	01/22/04	JRK	CAD #	28R0614-100-H	TOOL #	R0614
B	UPDATE FORMAT,CURVE & Z SPECS	05/05/03	JRK	MATERIAL:	Ferrite		
A	ORIGINAL DRAFT	10/15/02	JRK				
REV	DESCRIPTION	DATE	INT				